



KOHLER[®]engines

PARTS MANUAL
COMMAND 11, 12.5, 14 HP
Vertical Crankshaft

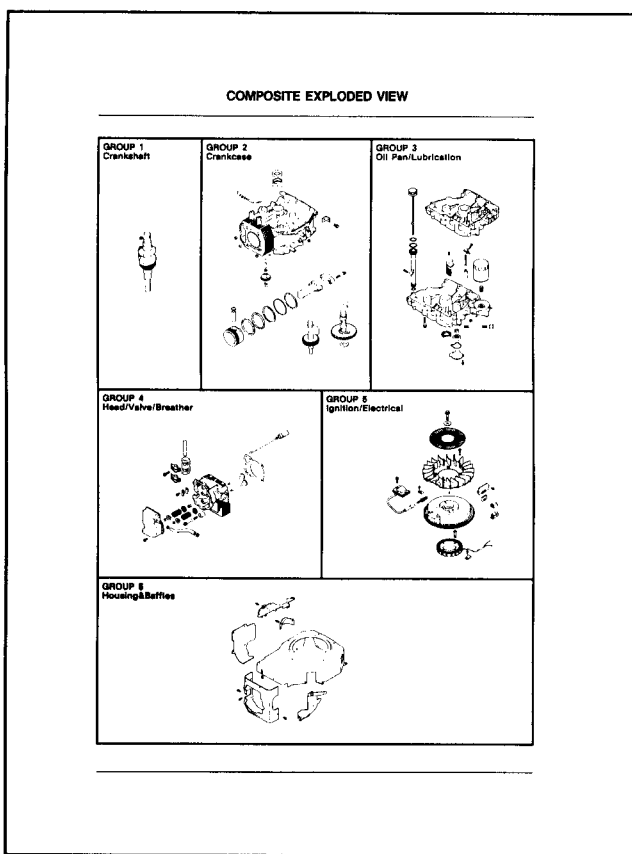
CV11 Specs 1101 — 1109

CV12.5 Specs 1201 — 1250

CV14 Specs 1401 — 1436

COMMAND

HOW TO FIND YOUR PART NUMBER



1. Turn the page of the parts manual to the "Composite Exploded View." Notice the boxed groupings identified by their function along with corresponding number. The group function and number applies to all engine models.

For example:

| Function (Group Description) | Group Number |
|--|-----------------|
| Crankshaft | 1 |
| Crankcase | 2 |
| Oil Pan/Lubrication | 3 |
| Cylinder Head/Valve/Breather | 4 |
| Ignition/Electrical | 5 |
| Blower Housing & Baffles | 6 |
| Starting System | 7 |
| Fuel System | 8 |
| Engine Controls | 9 |
| Air Intake/Filtration | 10 |
| Exhaust | 11 |

Remember the Group Number in which you located your part. (If the part you need is not illustrated, locate a major engine function related to your part and use that Group Number.

SPECIFICATION NUMBER INDEX

| Group Title & Number | Variation Number | | | | | | | | | | |
|-------------------------------|------------------|-----------|---------------------|--------------------|---------------------|----------------|-----------------|-------------|-----------------|-----------------------|---------|
| | CRANKSHAFT | CRANKCASE | OIL PAN/LUBRICATION | HEAD/VALVE/BREATER | IGNITION/ELECTRICAL | BLOWER/Baffles | STARTING SYSTEM | FUEL SYSTEM | ENGINE CONTROLS | AIR INTAKE/FILTRATION | EXHAUST |
| Page No. | 8 | 9 | 11 | 14 | 16 | 18 | 20 | 23 | 27 | 28 | 29 |
| Grid No. | A8 | A8 | A11 | A14 | B3 | B4 | B8 | B9 | B13 | B14 | C1 |
| Spec. No. | Variation Number | | | | | | | | | | |
| 1161 | 1 | 2 | 1 | 8 | 8 | 1 | 1 | 33 | 3 | 1 | 1 |
| 1162 | 1 | 2 | 1 | 8 | 2 | 8 | 2 | 33 | 3 | 1 | 1 |
| 1163 | 1 | 2 | 1 | 8 | 2 | 8 | 2 | 33 | 3 | 1 | 1 |
| 1164 | 1 | 2 | 7 | 8 | 8 | 1 | 1 | 34 | 3 | 1 | 1 |
| 1165 | 1 | 2 | 7 | 8 | 8 | 2 | 2 | 34 | 3 | 1 | 1 |
| 1166 | 1 | 2 | 7 | 8 | 8 | 2 | 2 | 34 | 3 | 1 | 1 |
| 1169 | 1 | 2 | 2 | 8 | 33 | 8 | 8 | 7 | 4 | 3 | 20 |
| 1201 | 1 | 200 | 1 | 8 | 200 | 1 | 1 | 10 | 3 | 1 | 1 |
| 1202 | 1 | 200 | 1 | 8 | 2 | 8 | 2 | 10 | 3 | 1 | 1 |
| 1203 | 1 | 200 | 1 | 8 | 2 | 8 | 2 | 10 | 3 | 1 | 1 |
| 1204 | 1 | 200 | 1 | 8 | 200 | 8 | 2 | 11 | 3 | 1 | 1 |
| 1206 | 1 | 200 | 7 | 8 | 2 | 8 | 2 | 11 | 3 | 1 | 1 |
| 1208 | 1 | 200 | 2 | 8 | 23 | 8 | 2 | 7 | 4 | 1 | 201 |
| 1210 | 1 | 201 | 15 | 8 | 18 | 200 | 2 | 10 | 3 | 1 | 200 |
| 1211 | 1 | 201 | 8 | 8 | 18 | 2 | 2 | 17 | 3 | 1 | 9 |
| 1213 | 1 | 1 | 1 | 8 | 15 | 2 | 2 | 8 | 6 | 2 | 4 |
| 1214 | 1 | 1 | 1 | 8 | 15 | 2 | 2 | 8 | 6 | 2 | 4 |
| 1216 | 1 | 2 | 3 | 1 | 4 | 201 | 8 | 4 | 8 | 4 | 10 |
| 1218 | 1 | 2 | 3 | 1 | 4 | 201 | 8 | 4 | 8 | 4 | 10 |
| 1217 | 1 | 200 | 4 | 8 | 2 | 1 | 1 | 10 | 3 | 1 | 1 |
| 1218 | 1 | 200 | 4 | 8 | 2 | 1 | 1 | 10 | 3 | 1 | 1 |
| 1219 | 1 | 200 | 4 | 8 | 2 | 1 | 1 | 10 | 3 | 1 | 1 |
| 1220 | 1 | 1 | 8 | 8 | 8 | 202 | 1 | 1 | 3 | 1 | 1 |
| 1222 | 1 | 1 | 8 | 8 | 8 | 1 | 1 | 11 | 3 | 1 | 1 |
| 1223 | 1 | 200 | 7 | 8 | 3 | 8 | 3 | 10 | 3 | 1 | 1 |
| 1224 | 1 | 200 | 7 | 8 | 3 | 8 | 3 | 10 | 3 | 1 | 1 |
| 1225 | 1 | 200 | 7 | 8 | 2 | 2 | 2 | 11 | 3 | 1 | 1 |
| 1227 | 1 | 1 | 1 | 8 | 11 | 8 | 3 | 8 | 3 | 1 | 7 |
| 1236 | 1 | 1 | 1 | 8 | 11 | 1 | 1 | 200 | 3 | 1 | 1 |
| 1239 | 1 | 1 | 1 | 8 | 200 | 1 | 1 | 38 | 3 | 1 | 1 |
| 1241 | 1 | 1 | 8 | 8 | 18 | 1 | 1 | 14 | 3 | 1 | 1 |
| 1242 | 1 | 1 | 10 | 8 | 21 | 2 | 2 | 12 | 2 | 1 | 203 |
| 1243 | 1 | 1 | 10 | 8 | 21 | 2 | 2 | 12 | 2 | 1 | 203 |
| 1245 | 1 | 200 | 1 | 8 | 202 | 200 | 2 | 11 | 3 | 1 | 1 |
| 1241 | 1 | 200 | 1 | 8 | 200 | 1 | 1 | 17 | 3 | 1 | 1 |
| 1242 | 1 | 2 | 12 | 8 | 32 | 2 | 2 | 22 | 3 | 1 | 15 |
| 1243 | 1 | 200 | 12 | 8 | 32 | 2 | 2 | 22 | 3 | 1 | 15 |
| 1245 | 1 | 200 | 1 | 8 | 202 | 200 | 2 | 11 | 3 | 1 | 1 |
| 1246 | 1 | 1 | 1 | 8 | 203 | 2 | 2 | 6 | 3 | 1 | 1 |
| 1248 | 1 | 2 | 17 | 8 | 8 | 1 | 1 | 27 | 3 | 1 | 11 |
| 1249 | 1 | 2 | 17 | 8 | 8 | 1 | 1 | 27 | 3 | 1 | 11 |
| 1248 | 1 | 2 | 3 | 8 | 4 | 18 | 8 | 6 | 8 | 4 | 10 |
| 1250 | 1 | 2 | 3 | 8 | 4 | 18 | 8 | 6 | 8 | 4 | 10 |

For Short Blocks and Replacement Engines refer to Selection Guide TP-2409. Contact your Kohler engine parts supplier for any specification not listed.

2. Now turn to the pages titled "Specification Number Index." When scanning these pages, you'll notice:

A. Page Numbers indexing where Group Parts are listed;

B. Specification Numbers listed vertically down the first column;

C. "Variation" Numbers in the Group Number columns. (These numbers specifically identify a particular group (combination) of parts used in a particular model(s) – and is used to locate the specific part number.)

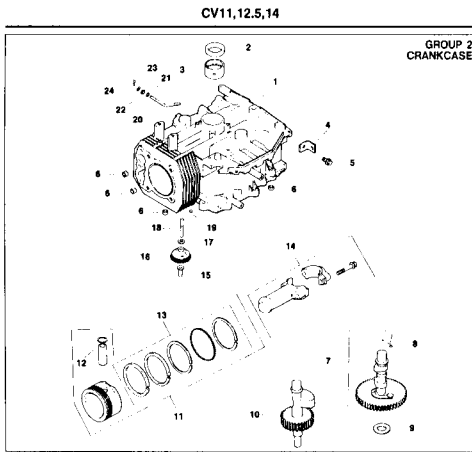
HOW TO FIND YOUR PART NUMBER

3. Look at the illustration and the listing of the parts making up that group.

A. All parts in the illustration are identified (or indexed) with a number. Use that identifier to locate that part description in the listing.

B. The "Variation" Number that you locate in the Spec Index page is the number you should locate in the parts listing. It is a critical reference to correct part number identification.

C. Part Numbers are listed in the column to the right of Variation Numbers



| Index Number | Description | Part Number | Index Number | Description | Part Number |
|--------------|---|-------------|--------------|---|-------------|
| 1 | Crankcase (refer to Selection Guide TP-2498) | | 7 | Camshaft assembly | 12 010 02 |
| 2 | 1.2.200.201.202 Sled, crankshaft | 12 032 03 | 7 | 2 Camshaft assembly | 12 010 01 |
| 3 | 1.2.200.201.202 Bearing, crankshaft (Std.) | 12 030 01 | 7 | 200 Before serial no. 2002500014 use | 12 010 02 |
| 3 | 1.2.200.201.202 Bearing, crankshaft (.25 O.S.) | 12 030 02 | 7 | After serial no. 2002500014 use | 12 010 02 |
| 3 | 1.2.200.201.202 Bearing, crankshaft (.50 O.S.) | 12 030 03 | 7 | 201 Camshaft assembly | 12 210 01 |
| 4 | 1.2.200.201.202 Strap, timing | 12 445 02 | 7 | Before serial no. 2013800014 use | 12 210 02 |
| 5 | 1.2.200.201.202 Screw, wing strip M8x1.25x25.5 | SM-0836025 | 7 | After serial no. 2013800014 use | 12 210 02 |
| 6 | 1.2.200.201.202 Dowel, locking (4) | 12 360 03 | 8 | 302 Before serial no. 2024300014 use | 12 010 01 |
| 7 | 1.2.200.201.202 Camshaft assembly | 12 010 01 | 8 | After serial no. 2024300014 use | 12 010 02 |
| | | | 8 | Spring, actuating | 12 048 18 |
| | | | 8 | Shim, camshaft | 12 422 10 |
| | | | | 1.2.200.201.202 | |

CV11, 12.5, 14
CV12.5 ENGINE SPECIFICATIONS (CONT'D)

| Engine Spec No. | Replacement Engine | Original Engine Crankshaft No. | Replac. Short Block | Engine Spec No. | Replacement Engine | Original Engine Crankshaft No. | Replac. Short Block |
|-----------------|--------------------|--------------------------------|---------------------|-----------------|--------------------|--------------------------------|---------------------|
| 1227 | — | 12 014 02 | 12 522 01 | 1243 | — | 12 014 02 | 12 522 02 |
| 1229 | 1427 | 12 014 02 | 12 522 01 | 1248 | — | 12 014 02 | 12 522 02 |
| 1230 | — | 12 014 02 | 12 522 01 | | | | |
| 1235 | — | 12 014 02 | 12 522 08 | 1246 | — | 12 014 02 | 12 522 02 |
| 1237 | 1237 | 12 014 02 | 12 522 09 | 1247 | — | 12 014 02 | 12 522 02 |
| 1240 | — | 12 014 02 | 12 522 01 | 1248 | 1427 | 12 014 02 | 12 522 02 |
| 1241 | — | 12 014 02 | 12 522 08 | 1249 | 1249 | 12 014 02 | 12 522 02 |
| 1242 | — | 12 014 02 | 12 522 02 | 1250 | 1250 | 12 014 02 | 12 522 02 |

CV14 ENGINE SPECIFICATIONS

| Engine Spec No. | Replacement Engine | Original Engine Crankshaft No. | Replac. Short Block | Engine Spec No. | Replacement Engine | Original Engine Crankshaft No. | Replac. Short Block |
|-----------------|--------------------|--------------------------------|---------------------|-----------------|--------------------|--------------------------------|---------------------|
| 1401 | 1401 ¹ | 12 014 02 | 12 522 01 | 1417 | 1417 | 12 014 02 | 12 522 01 |
| 1402 | 1402 ¹ | 12 014 02 | 12 522 01 | 1418 | 1418 | 12 014 02 | 12 522 01 |
| 1403 | 1403 ¹ | 12 014 02 | 12 522 01 | 1419 | — | 12 014 02 | 12 522 01 |
| 1404 | 1404 ¹ | 12 014 02 | 12 522 07 | 1420 | — | 12 014 02 | 12 522 01 |
| 1408 | 1408 ¹ | 12 014 02 | 12 522 07 | 1421 | — | 12 014 02 | 12 522 01 |
| 1408 | 1408 ¹ | 12 014 02 | 12 522 01 | 1422 | 1422 | 12 014 02 | 12 522 01 |
| 1408 | 1408 | 12 014 02 | 12 522 01 | 1423 | 1427 | 12 014 02 | 12 522 01 |
| 1409 | 1409 | 12 014 02 | 12 522 01 | 1424 | — | 12 014 02 | 12 522 01 |
| 1410 | 1410 | 12 014 02 | 12 522 01 | 1425 | — | 12 014 02 | 12 522 01 |
| 1411 | — | 12 014 02 | 12 522 01 | 1426 | 1426 | 12 014 02 | 12 522 01 |
| 1412 | 1412 | 12 014 02 | 12 522 01 | 1427 | 1427 | 12 014 02 | 12 522 01 |
| 1413 | 1413 | 12 014 02 | 12 522 07 | 1428 | — | 12 014 02 | 12 522 01 |
| 1414 | — | 12 014 02 | 12 522 01 | 1430 | 1430 | 12 014 02 | 12 522 09 |
| 1416 | — | 12 014 02 | 12 522 01 | 1431 | 1431 | 12 014 02 | 12 522 01 |
| 1418 | — | 12 014 02 | 12 522 01 | 1436 | 1436 | 12 014 02 | 12 522 01 |

All Short Blocks include an overhaul gasket set.

¹Basic Engine

Special Features

Near the end of the Parts Manual Binder is a separate section devoted to Service Engines, Short Blocks, and Miniblocks. "Selection Guides" for each model engine give several different methods of repairing Kohler Engines . . . with the choice dependent on shop facilities, costs, and allowable downtime of the engine and/or equipment.

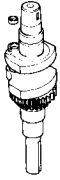
Selection guides are easy references for determining part numbers of Replacement Engines, Short Blocks, or Miniblocks for the repair method selected. They also list part numbers of crankshafts installed in original engines.

Here is what you'll find:

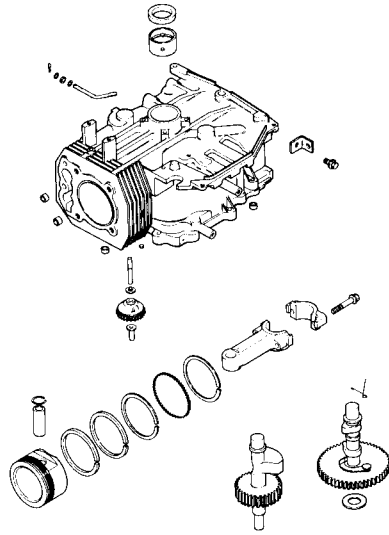
- Engine model is identified on each page for easy reference;
- Bold column heads identify the various repower options for every engine spec;
- Service Engines, Replacement Engines, Short Blocks, and Miniblocks.

COMPOSITE EXPLODED VIEW

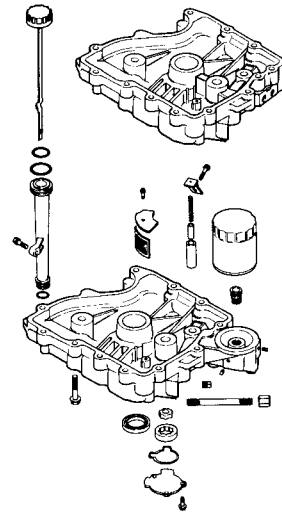
GROUP 1
Crankshaft



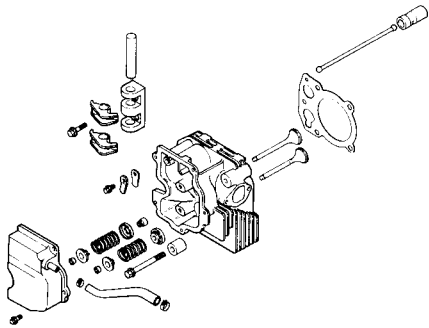
GROUP 2
Crankcase



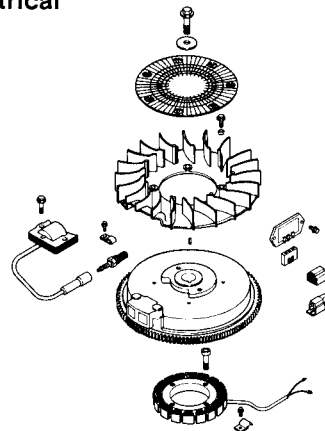
GROUP 3
Oil Pan/Lubrication



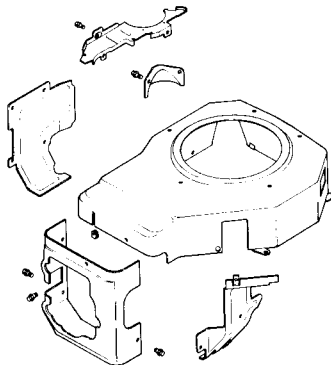
GROUP 4
Head/Valve/Breather



GROUP 5
Ignition/Electrical

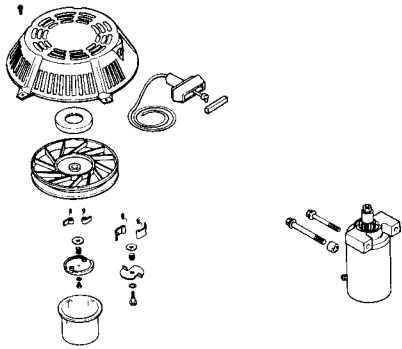


GROUP 6
Housing&Baffles

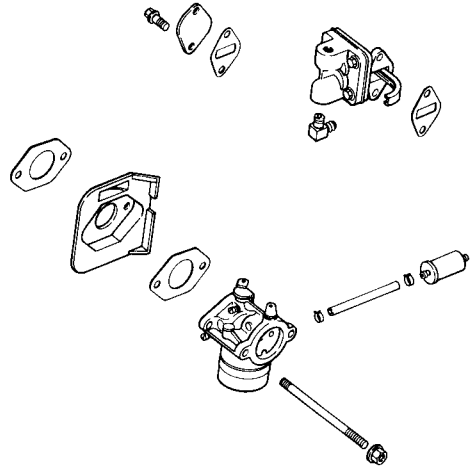


COMPOSITE EXPLODED VIEW

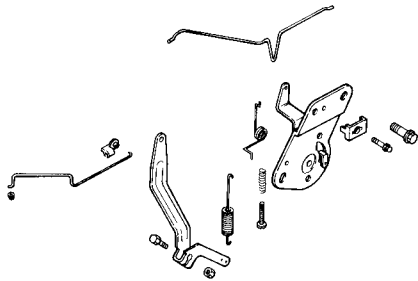
GROUP 7 Starting System



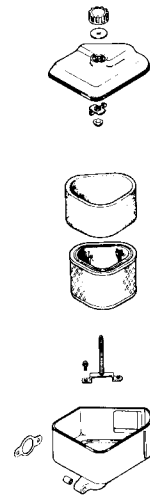
GROUP 8 Fuel System



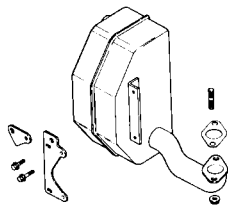
GROUP 9 Engine Controls



GROUP 10 Air Intake



GROUP 11 Exhaust



SPECIFICATION NUMBER INDEX

| Group Title & Number | CRANKSHAFT | CRANKCASE | OIL PAN/LUBRICATION | HEAD/VALVE/BREATER | IGNITION/ELECTRICAL | HOUSING&BAFFLES | STARTING SYSTEM | FUEL SYSTEM | ENGINE CONTROLS | AIR INTAKE/FILTRATION | EXHAUST | |
|----------------------|------------|-----------|---------------------|--------------------|---------------------|-----------------|-----------------|-------------|-----------------|-----------------------|---------|--|
| | 1 | 2 | 3 | 4 | 5 | 6 | 7 | 8 | 9 | 10 | 11 | |
| Page No. | 8 | 9 | 11 | 14 | 16 | 18 | 20 | 23 | 27 | 28 | 29 | |
| Grid No. | A8 | A9 | A11 | A14 | B2 | B4 | B6 | B9 | B13 | B14 | C1 | |

Spec. No. Variation Number

| | | | | | | | | | | | | |
|------|---|-----|----|---|-----|-----|----|-----|----|---|-----|--|
| 1101 | 1 | 2 | 1 | 6 | 8 | 1 | 1 | 33 | 3 | 1 | 1 | |
| 1102 | 1 | 2 | 1 | 6 | 2 | 6 | 2 | 33 | 3 | 1 | 1 | |
| 1103 | 1 | 2 | 1 | 6 | 3 | 6 | 3 | 33 | 3 | 1 | 1 | |
| 1104 | 1 | 2 | 7 | 6 | 8 | 1 | 1 | 34 | 3 | 1 | 1 | |
| 1105 | 1 | 2 | 7 | 6 | 2 | 6 | 2 | 34 | 3 | 1 | 1 | |
| 1109 | 1 | 2 | 2 | 5 | 33 | 6 | 6 | 7 | 4 | 3 | 20 | |
| 1201 | 1 | 200 | 1 | 6 | 200 | 1 | 1 | 10 | 3 | 1 | 1 | |
| 1202 | 1 | 200 | 1 | 6 | 2 | 6 | 2 | 10 | 3 | 1 | 1 | |
| 1203 | 1 | 200 | 1 | 6 | 3 | 6 | 3 | 10 | 3 | 1 | 1 | |
| 1204 | 1 | 200 | 7 | 6 | 200 | 1 | 1 | 201 | 3 | 1 | 1 | |
| 1205 | 1 | 200 | 7 | 6 | 2 | 6 | 2 | 201 | 3 | 1 | 1 | |
| 1206 | 1 | 200 | 2 | 6 | 23 | 6 | 6 | 7 | 4 | 1 | 201 | |
| 1210 | 1 | 1 | 15 | 6 | 13 | 200 | 2 | 6 | 3 | 1 | 200 | |
| 1211 | 1 | 201 | 6 | 6 | 5 | 2 | 10 | 203 | 2 | 1 | 9 | |
| 1213 | 1 | 1 | 1 | 6 | 10 | 1 | 1 | 8 | 1 | 2 | 1 | |
| 1214 | 1 | 1 | 1 | 6 | 13 | 2 | 2 | 9 | 5 | 2 | 4 | |
| 1215 | 1 | 2 | 3 | 1 | 4 | 3 | 9 | 4 | 9 | 4 | 10 | |
| 1216 | 1 | 2 | 3 | 1 | 4 | 201 | 9 | 5 | 9 | 4 | 10 | |
| 1217 | 1 | 200 | 4 | 6 | 8 | 1 | 1 | 10 | 3 | 1 | 1 | |
| 1218 | 1 | 200 | 4 | 6 | 2 | 2 | 2 | 10 | 3 | 1 | 1 | |
| 1219 | 1 | 200 | 4 | 6 | 3 | 6 | 3 | 10 | 3 | 1 | 1 | |
| 1220 | 1 | 1 | 5 | 6 | 8 | 202 | 1 | 1 | 3 | 1 | 1 | |
| 1222 | 1 | 1 | 2 | 5 | 33 | 6 | 6 | 7 | 4 | 3 | 202 | |
| 1223 | 1 | 200 | 7 | 6 | 3 | 6 | 3 | 10 | 3 | 1 | 1 | |
| 1224 | 1 | 200 | 7 | 6 | 8 | 1 | 1 | 201 | 3 | 1 | 1 | |
| 1225 | 1 | 200 | 7 | 6 | 2 | 2 | 2 | 201 | 3 | 1 | 1 | |
| 1227 | 1 | 1 | 1 | 6 | 11 | 6 | 3 | 6 | 3 | 1 | 7 | |
| 1229 | 1 | 1 | 1 | 6 | 200 | 1 | 1 | 6 | 3 | 1 | 1 | |
| 1230 | 1 | 1 | 1 | 6 | 200 | 1 | 1 | 36 | 3 | 1 | 1 | |
| 1235 | 1 | 1 | 9 | 6 | 35 | 200 | 2 | 14 | 2 | 1 | 1 | |
| 1237 | 1 | 1 | 10 | 6 | 21 | 2 | 2 | 12 | 2 | 1 | 203 | |
| 1240 | 1 | 200 | 1 | 6 | 200 | 1 | 1 | 204 | 3 | 1 | 1 | |
| 1241 | 1 | 200 | 11 | 6 | 200 | 1 | 1 | 35 | 4 | 1 | 1 | |
| 1242 | 1 | 2 | 12 | 6 | 32 | 2 | 2 | 22 | 3 | 1 | 15 | |
| 1243 | 1 | 200 | 12 | 6 | 8 | 1 | 1 | 202 | 3 | 1 | 1 | |
| 1245 | 1 | 200 | 1 | 6 | 202 | 200 | 2 | 202 | 3 | 1 | 1 | |
| 1246 | 1 | 1 | 1 | 6 | 203 | 2 | 2 | 6 | 3 | 1 | 1 | |
| 1247 | 1 | 202 | 17 | 6 | 13 | 2 | 2 | 37 | 3 | 1 | 11 | |
| 1248 | 1 | 2 | 6 | 6 | 8 | 1 | 1 | 11 | 12 | 1 | 1 | |
| 1249 | 1 | 2 | 3 | 6 | 4 | 15 | 9 | 4 | 9 | 4 | 10 | |
| 1250 | 1 | 2 | 3 | 6 | 4 | 203 | 9 | 5 | 9 | 4 | 10 | |

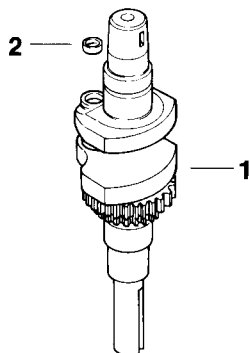
SPECIFICATION NUMBER INDEX

| Group Title & Number | CRANKSHAFT | CRANKCASE | OIL PAN/LUBRICATION | HEAD/VALVE/BREATER | IGNITION/ELECTRICAL | HOUSING&BAFFLES | STARTING SYSTEM | FUEL SYSTEM | ENGINE CONTROLS | AIR INTAKE/FILTRATION | EXHAUST | |
|----------------------|------------|-----------|---------------------|--------------------|---------------------|-----------------|-----------------|-------------|-----------------|-----------------------|-----------|--|
| | 1 | 2 | 3 | 4 | 5 | 6 | 7 | 8 | 9 | 10 | 11 | |
| Page No. | 8 | 9 | 11 | 14 | 16 | 18 | 20 | 23 | 27 | 28 | 29 | |
| Grid No. | A8 | A9 | A11 | A14 | B2 | B4 | B6 | B9 | B13 | B14 | C1 | |

Spec. Variation Number
No.

| | | | | | | | | | | | | |
|------|---|---|----|---|-----|-----|----|----|----|---|-----|--|
| 1401 | 1 | 1 | 1 | 6 | 8 | 204 | 1 | 13 | 3 | 1 | 1 | |
| 1402 | 1 | 1 | 1 | 6 | 2 | 205 | 2 | 13 | 3 | 1 | 1 | |
| 1403 | 1 | 1 | 1 | 6 | 3 | 205 | 3 | 13 | 3 | 1 | 1 | |
| 1404 | 1 | 1 | 7 | 6 | 8 | 204 | 1 | 6 | 3 | 1 | 1 | |
| 1405 | 1 | 1 | 7 | 6 | 2 | 205 | 2 | 6 | 3 | 1 | 1 | |
| 1406 | 1 | 1 | 2 | 6 | 23 | 205 | 6 | 7 | 4 | 1 | 201 | |
| 1408 | 1 | 1 | 5 | 6 | 13 | 206 | 2 | 15 | 3 | 1 | 11 | |
| 1409 | 1 | 1 | 1 | 6 | 10 | 207 | 1 | 8 | 3 | 2 | 1 | |
| 1410 | 1 | 1 | 1 | 6 | 13 | 208 | 2 | 9 | 5 | 2 | 4 | |
| 1411 | 1 | 1 | 1 | 6 | 8 | 207 | 1 | 1 | 3 | 1 | 1 | |
| 1412 | 1 | 1 | 1 | 6 | 29 | 7 | 1 | 31 | 3 | 1 | 16 | |
| 1413 | 1 | 1 | 11 | 6 | 201 | 204 | 1 | 16 | 4 | 1 | 1 | |
| 1414 | 1 | 1 | 1 | 6 | 201 | 207 | 1 | 18 | 4 | 1 | 1 | |
| 1415 | 1 | 1 | 12 | 6 | 31 | 208 | 2 | 21 | 3 | 1 | 15 | |
| 1416 | 1 | 1 | 4 | 6 | 13 | 206 | 2 | 6 | 2 | 1 | 1 | |
| 1417 | 1 | 1 | 1 | 6 | 201 | 204 | 1 | 32 | 4 | 1 | 1 | |
| 1418 | 1 | 1 | 6 | 6 | 5 | 206 | 10 | 1 | 2 | 1 | 9 | |
| 1419 | 1 | 1 | 2 | 6 | 30 | 209 | 3 | 13 | 3 | 1 | 1 | |
| 1420 | 1 | 1 | 5 | 6 | 8 | 210 | 1 | 1 | 3 | 1 | 1 | |
| 1422 | 1 | 1 | 22 | 6 | 37 | 205 | 13 | 1 | 4 | 1 | 22 | |
| 1423 | 1 | 1 | 1 | 6 | 8 | 204 | 1 | 6 | 3 | 1 | 1 | |
| 1424 | 1 | 1 | 18 | 6 | 2 | 206 | 2 | 6 | 3 | 1 | 1 | |
| 1425 | 1 | 1 | 18 | 6 | 2 | 211 | 2 | 6 | 3 | 1 | 1 | |
| 1426 | 1 | 1 | 2 | 5 | 33 | 205 | 6 | 44 | 4 | 3 | 20 | |
| 1427 | 1 | 1 | 6 | 6 | 8 | 204 | 1 | 6 | 12 | 1 | 1 | |
| 1428 | 1 | 1 | 21 | 6 | 204 | 209 | 2 | 40 | 3 | 1 | 13 | |
| 1430 | 1 | 1 | 9 | 6 | 35 | 208 | 2 | 14 | 2 | 1 | 1 | |
| 1431 | 1 | 1 | 27 | 6 | 13 | 206 | 2 | 42 | 3 | 1 | 7 | |
| 1436 | 1 | 1 | 5 | 6 | 13 | 206 | 2 | 41 | 3 | 1 | 11 | |

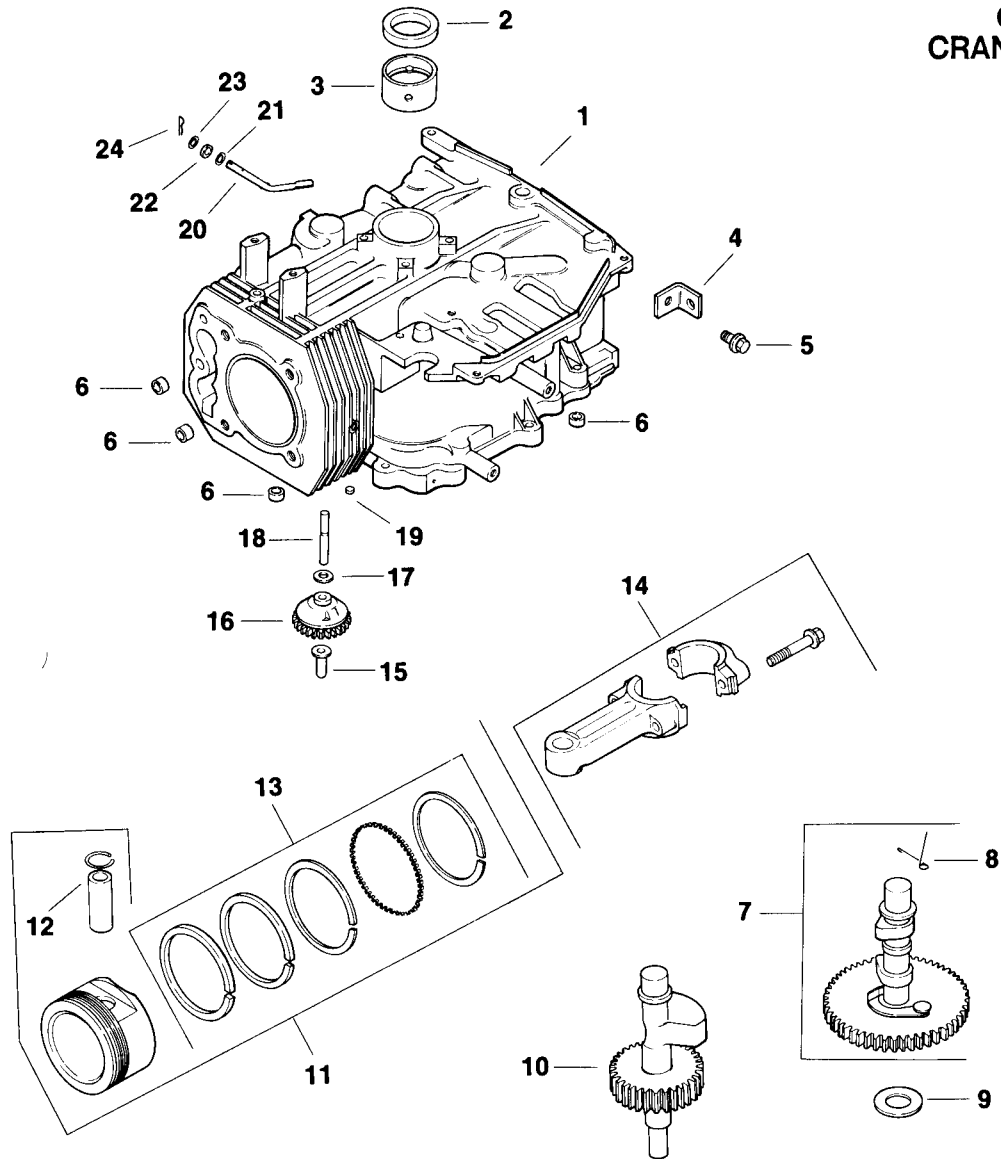
**Group 1
CRANKSHAFT**



| Index Number | Description Variation Number | Part Number | Index Number | Description Variation Number | Part Number |
|--------------|---------------------------------|-------------|--------------|---------------------------------|-------------|
| 1 | Crankshaft (Includes 2) 1 | 12 014 02 | 2 | Plug, cup 1 | 12 139 01 |

CV11,12.5,14

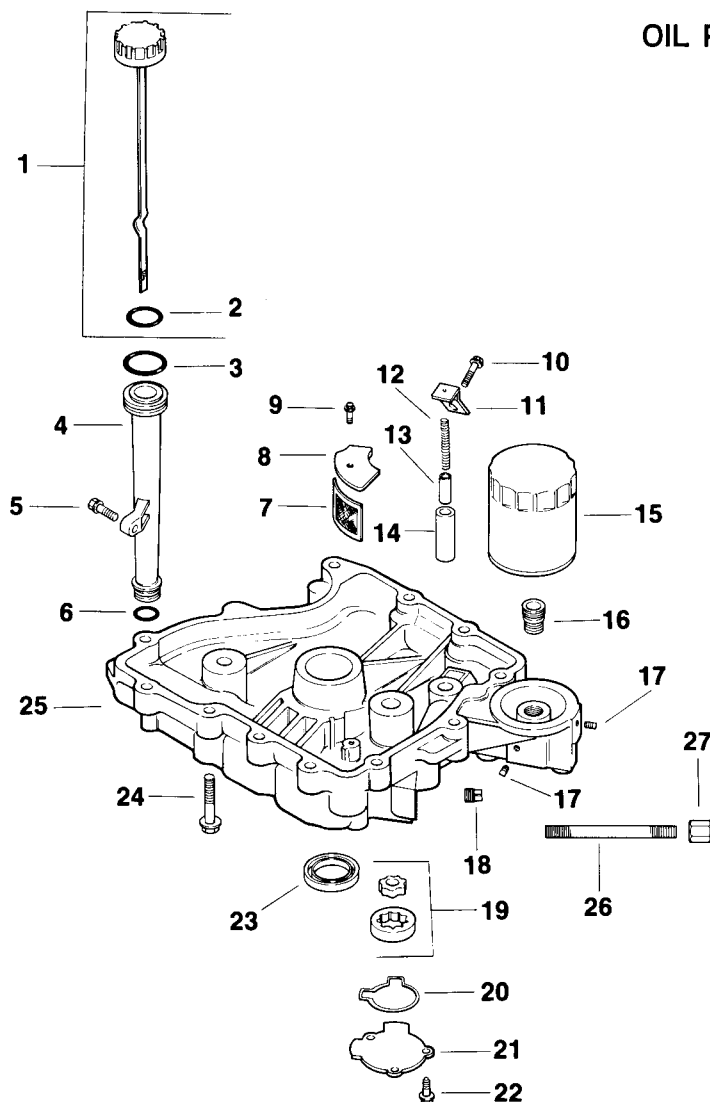
Group 2 CRANKCASE



| Index Number | Description Variation Number | Part Number | Index Number | Description Variation Number | Part Number |
|--------------|---|-------------|--------------|--------------------------------------|---|
| 1 | Crankcase (refer to Selection Guide TP-2409) 1,2,200,201,202 | | 7 | Camshaft assembly 2 | 12 010 02 |
| 2 | Seal, crankshaft 1,2,200,201,202 | 12 032 03 | 7 | Camshaft assembly 200 | Before serial no. 2000500014 use: 12 010 01 After serial no. 2000500004 use: 12 010 02 |
| 3 | Bearing, crankshaft (Std.) 1,2,200,201,202 | 12 030 01 | 7 | Camshaft assembly 201 | Before serial no. 2013800014 use: 12 010 01 After serial no. 2013800004 use: 12 010 02 |
| 3 | Bearing, crankshaft (.25 O.S.) 1,2,200,201,202 | 12 030 02 | 7 | Camshaft assembly 202 | Before serial no. 2024300014 use: 12 010 01 After serial no. 2024300004 use: 12 010 02 |
| 3 | Bearing, crankshaft (.50 O.S.) 1,2,200,201,202 | 12 030 03 | 7 | Camshaft assembly 202 | Before serial no. 2024300014 use: 12 010 01 After serial no. 2024300004 use: 12 010 02 |
| 4 | Strap, lifting 1,2,200,201,202 | 12 445 02 | 8 | Spring, actuating 1,2,200,201,202 | 12 089 18 |
| 5 | Screw, lifting strap M8x1.25x25.5 1,2,200,201,202 | SM-0839025 | 9 | Shim, camshaft 1,2,200,201,202 | 12 422 10 |
| 6 | Dowel, locating (4) 1,2,200,201,202 | 12 380 03 | | | |
| 7 | Camshaft assembly 1 | 12 010 01 | | | |

| Index Number | Description Variation Number | Part Number | Index Number | Description Variation Number | Part Number |
|--------------|---|-------------|--------------|---|-------------|
| 9 | Shim, camshaft (A.R.) 1,2,200,201,202 | 12 422 02 | 13 | Ring Set (.50 O.S.) 1,2,200,201,202 | 12 108 03 |
| 9 | Shim, camshaft. (A.R.) 1,2,200,201,202 | 12 422 06 | 14 | Connecting Rod (Std.) 1,2,200,201,202 | 12 067 01 |
| 9 | Shim, camshaft (A.R.) 1,2,200,201,202 | 12 422 07 | 14 | Connecting Rod (.25 O.S.) 1,2,200,201,202 | 12 067 02 |
| 9 | Shim, camshaft (A.R.) 1,2,200,201,202 | 12 422 08 | 15 | Pin, governor regulating 1,2,200,201,202 | 12 380 01 |
| 9 | Shim, camshaft (A.R.) 1,2,200,201,202 | 12 422 11 | 16 | Gear, governor 1,2,200,201,202 | 12 043 05 |
| 9 | Shim, camshaft (A.R.) 1,2,200,201,202 | 12 422 12 | 17 | Washer, governor gear thrust 1,2,200,201,202 | SM-0631005 |
| 10 | Shaft, balance 1,2,200,201,202 | 12 144 04 | 18 | Shaft, governor gear 1,2,200,201,202 | 12 144 02 |
| 11 | Piston w/Ring Set (Std.) 1,2,200,201,202 | 12 874 01 | 19 | Plug, cup 1,2,200,201,202 | 52 139 09 |
| 11 | Piston w/Ring Set (.25 O.S.) 1,2,200,201,202 | 12 874 02 | 20 | Shaft, governor cross 1,2,200,201,202 | 12 144 01 |
| 11 | Piston w/Ring Set (.50 O.S.) 1,2,200,201,202 | 12 874 03 | 21 | Washer, plain 1,2,200,201,202 | X-25-102 |
| 12 | Retainer, piston pin (2) 1,2,200,201,202 | 12 018 02 | 22 | Washer, governor shaft 1,2,200,201,202 | SM-0631015 |
| 13 | Ring Set (Std.) 1,2,200,201,202 | 12 108 01 | 23 | Seal, governor cross shaft 1,2,200,201,202 | 12 032 01 |
| 13 | Ring Set (.25 O.S.) 1,2,200,201,202 | 12 108 02 | 24 | Pin, governor hitch 1,2,200,201,202 | 12 380 04 |

GROUP 3
OIL PAN/LUBRICATION



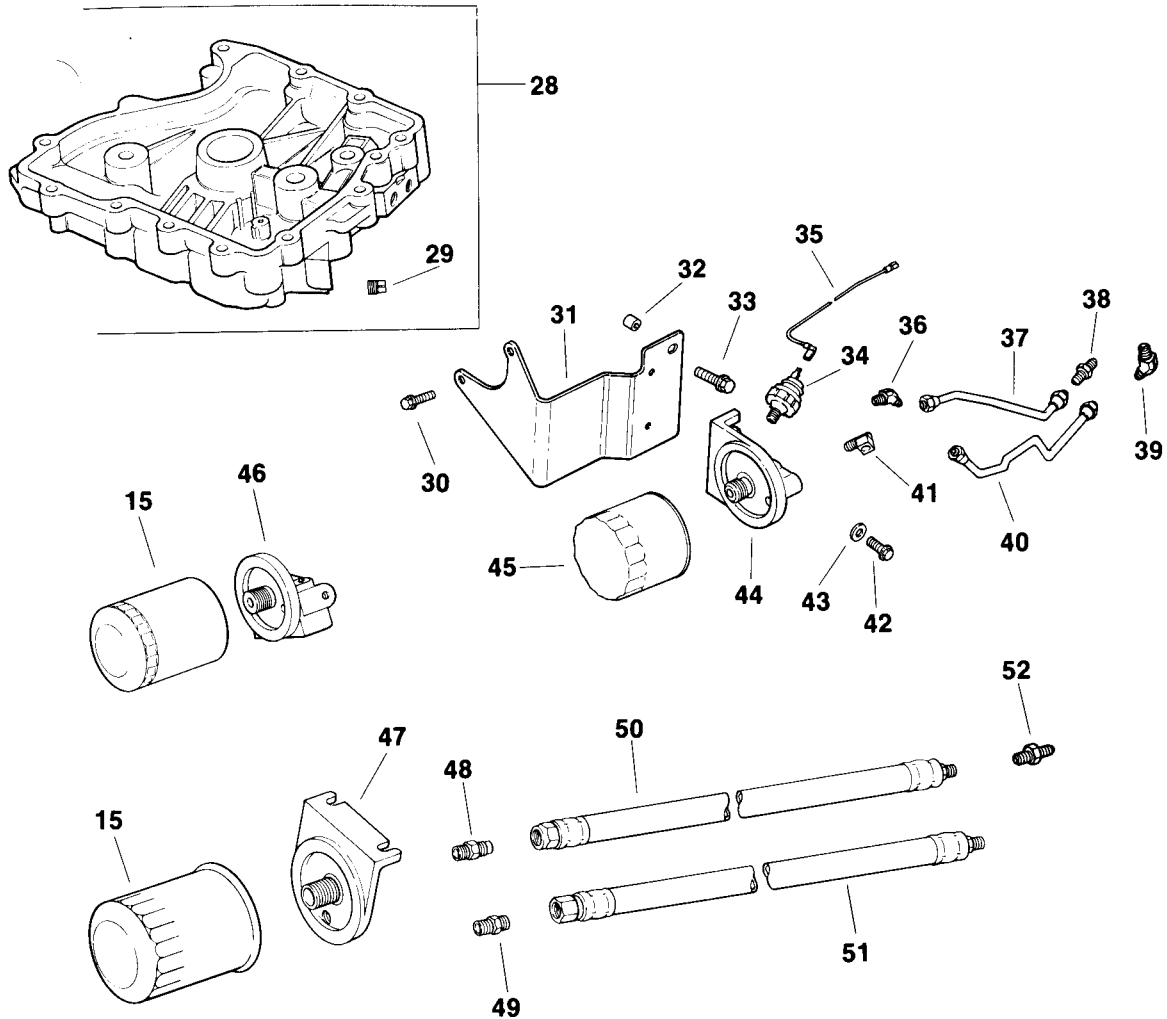
| Index Number | Description Variation Number | Part Number | Index Number | Description Variation Number | Part Number |
|--------------|--|-------------|--------------|---|-------------|
| 1 | Dipstick assembly (Includes 2) 1,2,4,5,6,7,9,10,11,12,15,17,18,22,27 | 12 038 01 | 6 | O-Ring, oil fill tube (lower) 1,2,3,4,5,6,7,9,10,11,12,15,17,18,21,22,27 | 12 153 01 |
| 1 | Dipstick assembly (Includes 2) 3,21 | 12 038 02 | 7 | Screen, oil pick-up 1,2,3,4,5,6,7,9,10,11,12,15,17,18,21,22,27 | 12 162 02 |
| 2 | O-Ring, dipstick 1,2,3,4,5,6,7,9,10,11,12,15,17,18,21,22,27 | 12 153 03 | 8 | Cover, oil pick-up screen 1,2,3,4,5,6,7,9,10,11,12,15,17,18,21,22,27 | 12 096 03 |
| 3 | O-Ring, oil fill tube (upper) 1,2,3,4,5,6,7,9,15,10,11,12,17,18,21,22,27 | 12 153 02 | 9 | Screw, screen cover M5x0.8x16 1,2,3,4,5,6,7,9,10,11,12,15,17,18,21,22,27 | SM-0545016 |
| 4 | Tube, oil fill 1,2,3,4,5,6,7,9,10,11,12,15,17,18,21,22,27 | 12 123 04 | 10 | Screw, oil pump relief valve bracket M10x1.5x25 1,2,3,4,5,6,7,9,10,11,12,15,17,18,21,22,27 | SM-1051025 |
| 5 | Screw, oil fill tube M5x0.8x20 1,2,3,4,5,6,7,9,10,11,12,15,17,18,21,22,27 | SM-0545020 | 11 | Bracket, oil pump relief 1,2,3,4,5,6,7,9,10,11,12,15,17,18,21,22,27 | 12 126 02 |

**OIL PAN/LUBRICATION
(Cont'd)**

CV11,12.5,14

| Index Number | Description Variation Number | Part Number | Index Number | Description Variation Number | Part Number |
|--------------|---|-------------|--------------|--|-------------|
| 12 | Spring, oil pump relief valve 1,2,3,4,5,6,7,9,10,11,12,15,17, 18,22,21,27 | 12 089 03 | 17 | Plug, sq. hd. solid 1/8 N.P.T.F. (2) 1,2,3,15,21,22,27 | X-75-1 |
| 13 | Piston, oil pump relief valve 1,2,3,4,5,6,7,9,10,11,12,15,17, 18,21,22,27 | 12 462 01 | 18 | Plug, sp. hd. solid 3/8 N.P.T.F. 12,18,22,27 | X-75-10 |
| 14 | Body, oil pump relief valve 1,2,3,4,5,6,7,9,10,11,12,15,17, 18,21,22,27 | 12 208 01 | 18 | Plug, sq. hd. solid 3/8 N.P.T.F. (2) 1,2,4,5,6,7,9,10,11,15,17,21 | X-75-10 |
| 15 | Filter, oil 1,2,3,4,5,7,9,11,12,15,17,18, 22,21,27 | 52 050 02 | 19 | Pump, oil 1,2,3,4,5,6,7,9,10,11,12,15,17, 18,21,22,27 | 12 393 01 |
| 16 | Adapter, oil filter 1,2,3,4,5,6,12,15,17,18,21,22, 27 | 12 136 01 | 20 | O-Ring, oil pump cover 1,2,3,4,5,6,7,9,10,11,12,15,17, 18,21,22,27 | 12 032 04 |
| 17 | Plug, sq. hd. solid 1/8 N.P.T.F. 3,4,18 | X-75-1 | 21 | Cover, oil pump 1,2,3,4,5,6,7,9,10,11,12,15,17, 18,21,22,27 | 12 096 02 |

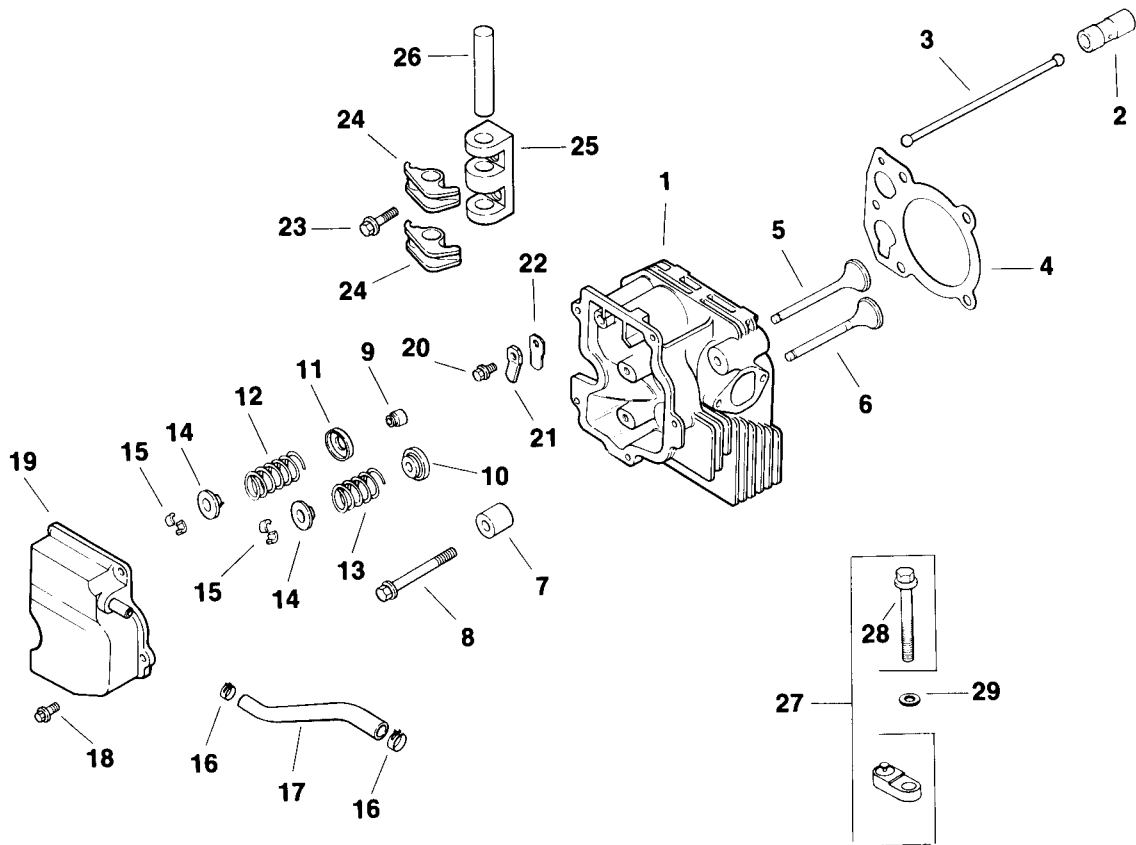
**OIL PAN/LUBRICATION
(Cont'd)**



| Index Number | Description Variation Number | Part Number | Index Number | Description Variation Number | Part Number |
|--------------|---|-------------|--------------|--|-------------|
| 22 | Screw, oil pump cover M5x0.8x16 (3) 1,2,3,4,5,6,7,9,10,11,12,15,17, 18,21,22,27 | SM-0545016 | 36 | Connector 11 | 12 155 01 |
| 23 | Seal, oil (P.T.O. end) 1,2,3,4,5,6,7,9,10,11,12,15,17, 18,21,22,27 | 12 032 03 | 37 | Line, oil return 11 | 12 353 08 |
| 24 | Screw, oil pan M8x1.25x45 (12) 1,2,3,4,5,6,7,9,10,11,12,15,17, 18,21,22,27 | SM-0839045 | 37 | Line, oil return 9,10 | 12 353 05 |
| 25 | Pan, oil 1,2,3,4,5,6,9,12,15,17,18,21, 22,27 | 12 199 09 | 38 | Fitting, straight 9,10,11 | 12 294 01 |
| 26 | Extension, oil drain 5.3" 3,12,18 | 12 136 04 | 39 | Elbow 45° 1/8x1/8 11 | 12 294 03 |
| 26 | Extension, oil drain 4.0" 22 | 25 136 12 | 39 | Elbow 45° 1/8x1/8 (2) 9,10 | 12 294 03 |
| 26 | Extension, oil drain 1.5" 27 | 12 136 07 | 39 | Adapter, pipe 7 | 25 054 01 |
| 27 | Cap, pipe 3,12,18,22,27 | 12 173 03 | 40 | Line, oil supply 9,10,11 | 12 353 06 |
| 28 | Kit, oil pan (Includes 29) 7,9,10,11 | 12 199 06 | 41 | Fitting, 90° 9,10 | 12 294 02 |
| 29 | Plug, allen head 1/8 (2) 5,6,12 | X-75-23 | 41 | Elbow 11 | X-555-2 |
| 29 | Plug, allen head 1/8 7,9,10,11,15,17 | X-75-23 | 42 | Screw (to mt. adapter to bkt) (2) 9,10,11 | M-0651016 |
| 30 | Screw (to mt. bkt to cyl. hd). (2) 9,10,11 | SM-0645025 | 43 | Washer (2) 9,10,11 | X-25-53 |
| 31 | Bracket - oil filter to mt. 9,10,11 | 12 126 12 | 44 | Adapter, remote oil filter 9,10 | 12 029 02 |
| 32 | Spacer 9,10,11 | 47 112 21 | 45 | Filter, oil 6,10 | 12 050 01 |
| 33 | Screw 9,10,11 | SM-0545020 | 46 | Adapter, oil filter 11 | 12 029 01 |
| 34 | Switch, oil pressure 2,4,9,10,17,18 | 52 099 06 | 47 | Adapter 7 | 25 029 01 |
| 35 | Lead, green (16" - 18 gauge - insulated push on tab, uninsulated push on tab terminals) 9,10 | 52 518 13 | 48 | Nipple 7 | 52 136 02 |
| 35 | Lead, green (12" - 18 gauge - insulated push on tab, uninsulated push on tab terminals) 4,15,17,18 | 52 518 21 | 49 | Connector 7 | 52 155 03 |
| | | | 50 | Oil line (white) 7 | 12 326 04 |
| | | | 51 | Oil line (red) 7 | 12 326 05 |
| | | | 52 | Connector 11 | 52 155 07 |

CV11,12.5,14

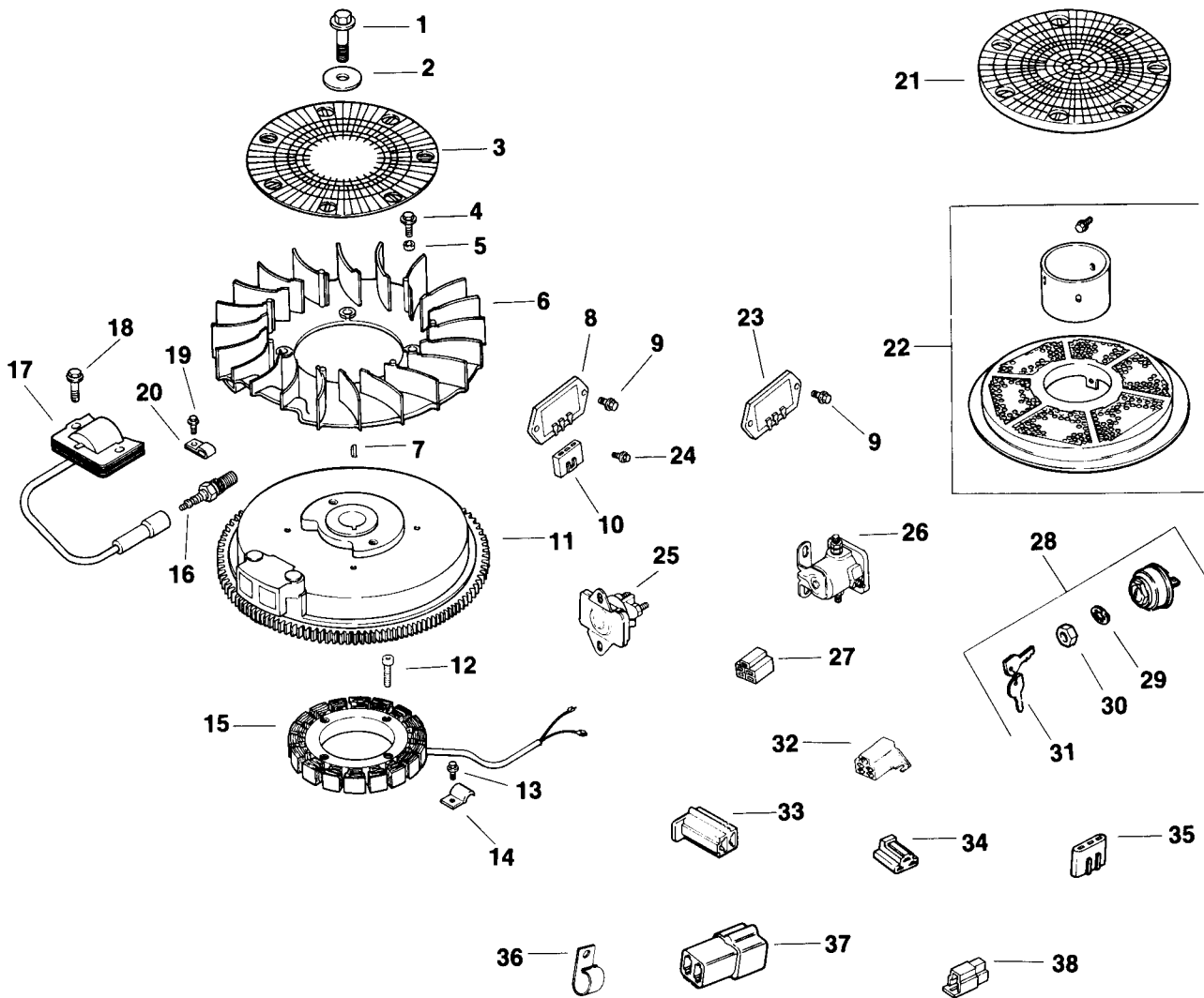
Group 4 HEAD/VALVE/BREATHER



| Index Number | Description Variation Number | Part Number | Index Number | Description Variation Number | Part Number |
|--------------|---|-------------|--------------|---|-------------|
| 1 | Head, cylinder 1,5,6 | 12 318 01 | 10 | Rotator, exhaust (Use before serial no. 1933503554) 5,6 | 12 413 01 |
| 2 | Lifter, valve (2) 1,5,6 | 12 351 01 | 11 | Spring, retainer 1 | 52 018 01 |
| 3 | Rod, push 1,5,6 | 12 411 01 | 11 | Spring, retainer (Use before serial no. 1933503554) 5,6 | 52 018 01 |
| 4 | Gasket, cylinder head 1,5,6 | 12 041 04 | 11 | Spring, retainer (2) (Use after serial no. 1933503544) 5,6 | 52 018 01 |
| 5 | Valve, Intake (Std.) 1,5,6 | 12 017 01 | 12 | Spring, valve (2) 1 | 12 089 01 |
| 5 | Valve, Intake (.25 O.S.) 1,5,6 | 12 017 02 | 12 | Spring, valve (2) (Use before serial no. 1933503554) 5,6 | 12 089 01 |
| 6 | Valve, exhaust (Std.) 1,5,6 | 12 016 01 | 12 | Spring, exhaust valve (Use after serial no. 1933503544) 5,6 | 12 089 01 |
| 6 | Valve, exhaust (.25 O.S.) 1,5,6 | 12 016 02 | 13 | Spring, exhaust valve (Use after serial no. 1933503544) 5,6 | 12 089 15 |
| 7 | Spacer, head bolt exhaust port 1,5,6 | 12 112 04 | 14 | Cap, valve spring (2) 1,5,6 | 12 173 01 |
| 8 | Screw, cylinder head M10x1.5x80 (5) 1,5,6 | M-1040080 | | | |
| 9 | Seal, valve stem 1,5,6 | 12 032 02 | | | |
| 10 | Rotator, exhaust 1 | 12 413 01 | | | |

| Index Number | Description Variation Number | Part Number | Index Number | Description Variation Number | Part Number |
|--------------|--|-------------|--------------|---|-------------|
| 15 | Kit, retainer (2) 1,5,6 | 12 755 03 | 24 | Arm, rocker (2) 1,5,6 | 12 186 01 |
| 16 | Clamp, hose (2) 1,5,6 | X-426-9 | 25 | Bridge, rocker arm 1,5,6 | 12 126 05 |
| 17 | Hose, breather 1,5,6 | 12 326 03 | 26 | Shaft, rocker arm 1,5,6 | 12 144 03 |
| 18 | Screw, valve cover M6x1.0x20 (3) 1,5,6 | SM-0645020 | 27 | Kit, high temp. switch (Includes 28) 5 | 12 703 01 |
| 19 | Cover, valve w/nipple 1,5,6 | 12 096 07 | 28 | Screw, cylinder head 5 | M-1040090 |
| 20 | Screw, reed retainer M5x0.8x10 1,5,6 | SM-0545010 | 29 | Washer 5 | 47 468 07 |
| 21 | Retainer, breather reed 1,5,6 | 12 018 01 | | NOT ILLUSTRATED | |
| 22 | Reed, breather 1,5,6 | 12 402 01 | | Kit, cylinder head (Includes 1,3-6,9-12,14,24-26) 1,5,6 | 12 755 02 |
| 23 | Screw, rocker bridge M6x1.0x25 (2) 1,5,6 | SM-0645025 | | | |

**Group 5
IGNITION/ELECTRICAL**

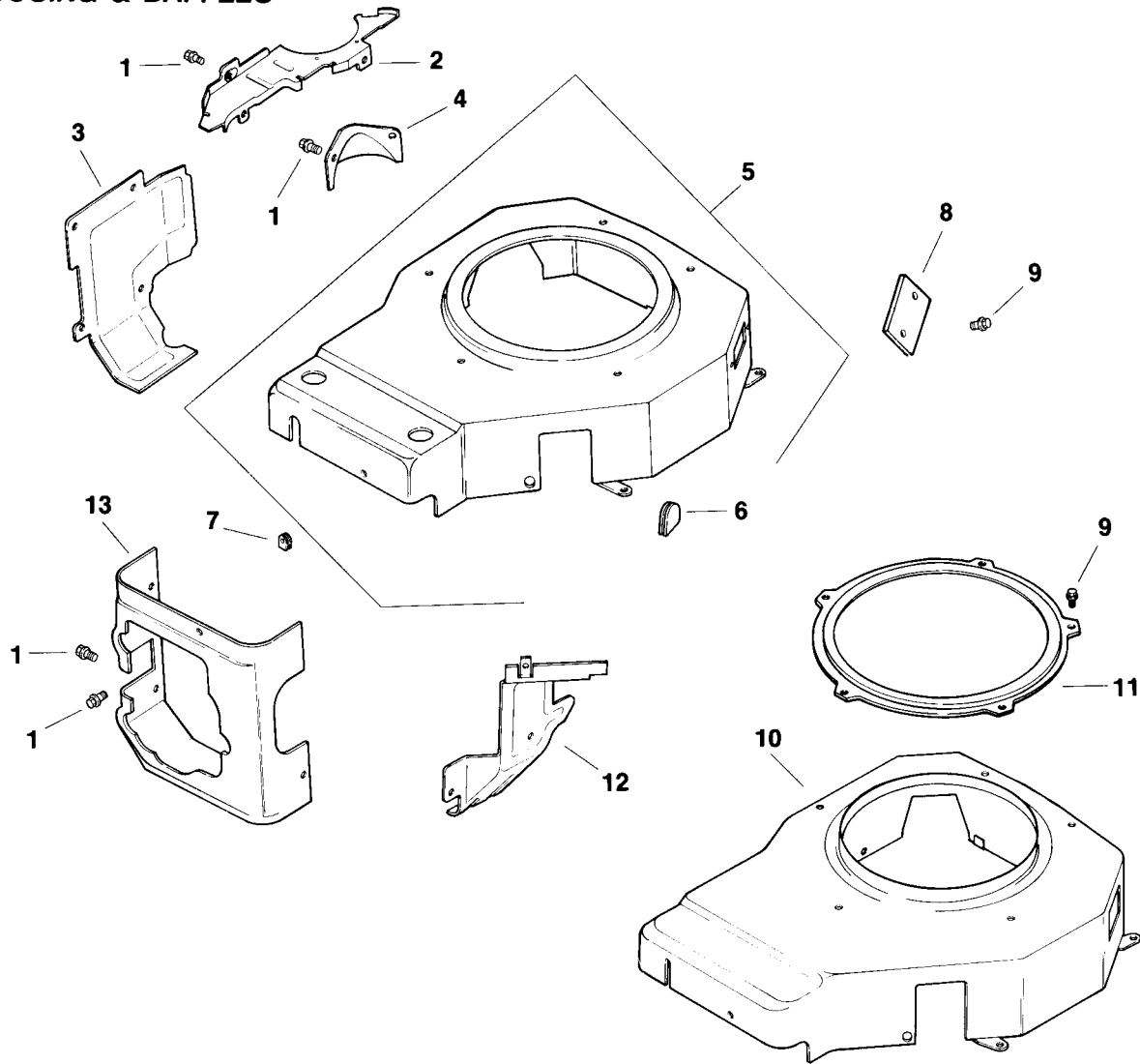


| Index Number | Description Variation Number | Part Number | Index Number | Description Variation Number | Part Number |
|--------------|--|-------------|--------------|---|-------------|
| 1 | Screw, flywheel M10x1.5x45.8 2,3,4,5,8,10,11,13,21,23,27,29, 30,31,32,33,35,37,200,201,202, 203 | M-1040045 | 5 | Spacer, fan (4) 2,3,4,5,8,10,11,13,21,23,27,29, 30,31,32,33,35,37,200,201,202, 203 | 12 112 01 |
| 2 | Washer, flywheel 1-3/8 O.D. 2,3,4,5,8,10,11,13,21,23,27,29, 30,31,32,33,35,37,200,201,202, 203 | 12 468 03 | 6 | Fan, flywheel 2,3,4,5,8,10,11,13,21,23,27,29, 30,31,32,33,35,37,200,201,202, 203 | 12 157 02 |
| 3 | Screen, grass 3,8,10,11,23,27,29,30,33,37,200 | 12 162 03 | 7 | Key 2,3,4,5,8,10,11,13,21,23,27,29, 30,31,32,33,35,37,200,201,202, 203 | X-42-15 |
| 4 | Screw, fan M6x1.0x16 (4) 2,3,4,5,8,10,11,13,21,23,27,29, 30,31,33,32,35,37,200,201,202, 203 | M-0651016 | 8 | Rectifier-regulator 2,3,4,5,11,13,21,30,31,32,35,37, 202,203 | 41 403 09 |

CV11,12.5,14

| Index Number | Description Variation Number | Part Number | Index Number | Description Variation Number | Part Number |
|--------------|---|-------------------------|--|--|-------------|
| 9 | Screw, rect.-regulator M6x1.0x16 (2) M6x1.0x16 (2) 2,3,4,5,11,13,21,23,29,30,31,32, 33,35,202,203 | M-0651016 | 24 | Screw, rect.-regulator M6x1.0x16 (2) 37 | SM-0643025 |
| 10 | Connector, rectifier-regulator (3 contact) 2,3,4,5,11,13,21,23,29,30,31,32, 33,35,37,202,203 | 236602 | 25 | Solenoid 202 | 25 435 01 |
| 11 | Flywheel 2,3,5,8,11,13,21,23,29,27,30,33, 35,37,202,203 | 12 025 08 | 26 | Solenoid 203 | 48 404 03 |
| 11 | Flywheel 4,31,32 | 12 025 10 | 27 | Connector (5 contact) 2,3,5,33,35,202,203 | 48 155 01 |
| 11 | Flywheel 10,200,201 | 12 025 11 | 28 | Switch assy. (Includes 29-31) 202,203 | 25 099 04 |
| 12 | Screw, stator mtg. 2,3,4,5,11,13,21,23,29,30,31,32, 33,35,37,202,203 Before serial no. 2009200014 use (4) After serial no. 2009200004 use (2) | SM-0544025 M-0548025 | 29 | Washer 202,203 | 48 468 02 |
| 12 | Screw, stator mtg. M5x0.8x10 (4) (Use before serial no. 2009200014) 8,10,27,200,201 | 12 086 09 | 30 | Nut 202,203 | 48 100 01 |
| 13 | Screw, harness clip M5x0.8x10 2,3,4,11,13,21,29,30,31,32,33,35, 37,202,203 | SM-0545010 | 31 | Key 202,203 | 48 340 01 |
| 14 | Clip, stator harness 2,3,4,11,13,23,21,29,30,31,32, 33,35,37,202,203 | 12 154 02 | 32 | Connector 202 | 25 155 06 |
| 15 | Stator - 15 amp. 2,3,4,5,11,13,21,23,29,30,31,32, 33,35,37,202,203 | 41 085 07 | 33 | Connector - male 11,23,29,31,32 | 41 155 03 |
| 16 | Spark plug 2,3,4,5,8,10,11,13,21,23,27,29, 30,31,32,33,35,37,200,201,202, 203 | 12 132 02 | 34 | Connector 13,21,37 | 236473 |
| 17 | Module, ignition 2,3,4,5,8,10,11,13,21,23,27,29, 30,31,32,33,35,37,200,201,202, 203 | 12 584 02 | 35 | Connector 10 | 277563 |
| 18 | Screw, ignition module M5x0.8x20 (2) 2,3,4,5,8,10,11,13,21,23,27,29, 30,31,32,33,35,37,200,201,202, 203 | SM-0545020 | 36 | Clip (attach to lift strap bolt) 5,21 | 47 154 01 |
| 19 | Screw, lead clip M5x0.8x10 2,3,4,5,8,10,11,13,21,23,27,29, 30,31,32,33,35,37,200,201,202, 203 | SM-0545010 | 37 | Connector - female 11,23 | 52 155 04 |
| 20 | Clip, kill lead 2,3,4,5,8,10,11,13,21,23,23,27, 29,30,31,32,33,35,37,200,201, 202,203 | X-728-1 | 38 | Connector 4 | 48 155 03 |
| 21 | Screen, grass - rotating 2,5,13,21,31,32,35,202,203 | 12 162 01 | NOT ILLUSTRATED | | |
| 22 | Assembly, cup and screen 4 | 12 109 03 | Lead, black, rectifier-regulator to connector (5" 14 gauge - uninsulated push-on tab terminals 2,3,5,11,13,21,23,29,30,31,32, 33,35,37,202,203 25 518 05 | | |
| 23 | Rectifier-unregulated 23,29,33 | 12 403 01 | Lead, white, ground to kill (9-1/2" - 18 gauge - fully insulated push-on tab - uninsulated push-on tab terminals. 2,3,5,8,10,11,13,21,23,29,31,32, 35,200,202 12 518 01 | | |
| | | | Lead, ground to kill 4 12 518 03 | | |
| | | | Lead, ground to kill - module to switch 27,201 12 518 07 | | |
| | | | Lead, ground to kill - module to switch 37 12 176 04 | | |
| | | | Lead, B+ 4 12 518 02 | | |
| | | | Lead, green (uninsulated push on tab - insulated grip barrel eyelet) 33 25 518 24 | | |
| | | | Wiring harness 33 12 176 03 | | |
| | | | Wiring harness 30 12 176 02 | | |
| | | | Extension Cord 23 12 127 01 | | |

**Group 6
HOUSING & BAFFLES**



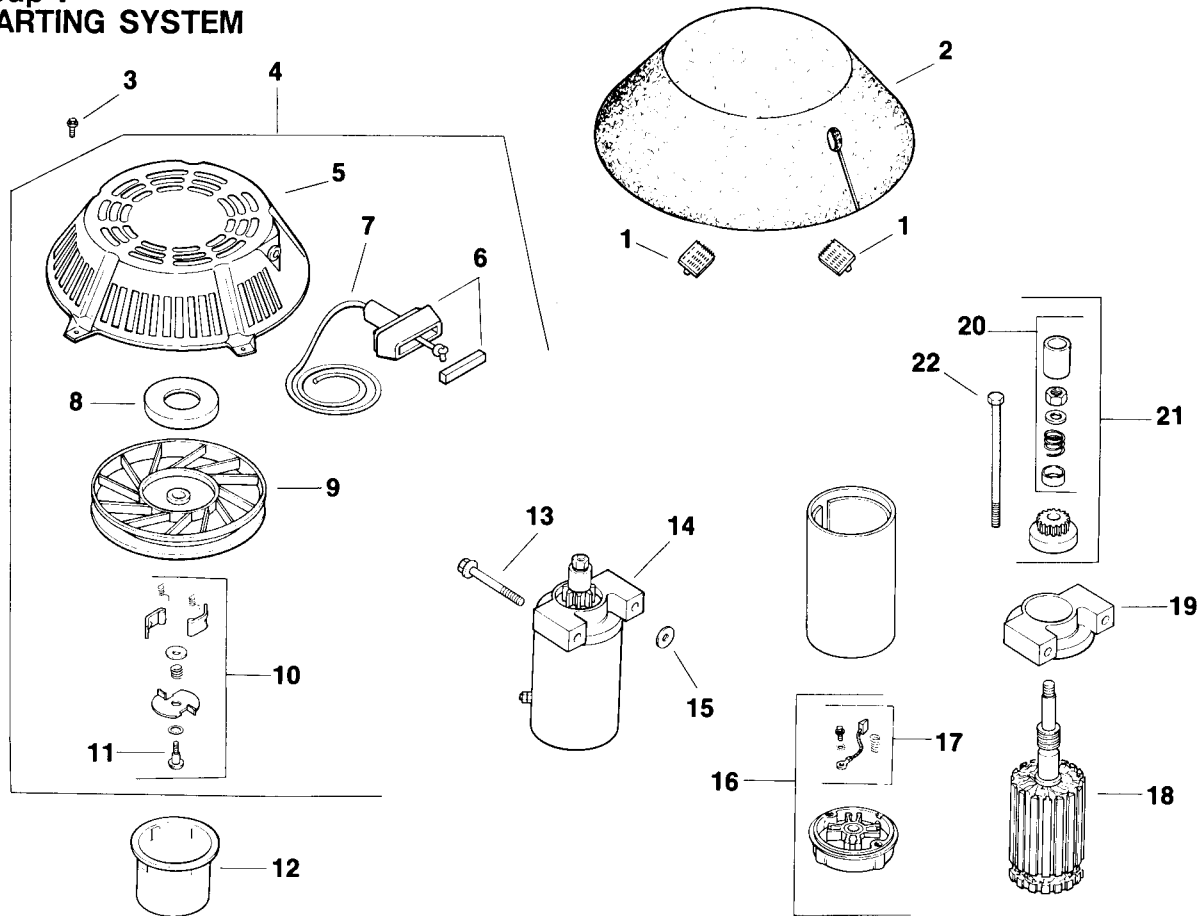
| Index Number | Description Variation Number | Part Number | Index Number | Description Variation Number | Part Number |
|--------------|---|-------------|--------------|--|-------------|
| 1 | Screw, mtg. M5x0.8x10 (14) 1,2,6,7,200,202,204,205,206,207, 208,209,210,211 | SM-0545010 | 5 | Kit, blower housing (Includes 6) 1,2,3,6,7,200,201,202,204,205, 206,207,208,209,210,211 | 12 027 03 |
| 1 | Screw, mtg. M5x0.8x10 (19) 3,15,201,203 | SM-0545010 | 6 | Grommet, blower housing (2) 1,2,6,7,200,202,204,205,206, 207,208,209,210,211 | 12 313 05 |
| 2 | Plate, blower housing 1,2,3,6,7,15,200,201,202,203, 204,205,206,207,208,209,210, 211 | 12 146 07 | 7 | Grommet, blower housing 1,2,3,6,7,15,200,201,202,203, 204,205,206,207,208,209,210, 211 | 12 313 03 |
| 3 | Baffle, cylinder barrel 1,2,3,6,7,15,200,201,202,203, 204,205,206,207,208,209,210, 211 | 12 063 01 | 8 | Cover, Reg./Rect. 1,202,204,207,210 | 41 096 23 |
| 4 | Cover, starter 1,7,202,204,207,210 | 12 096 05 | 9 | Screw, hex flange (2) 1,202,204,207,210 | M-0651016 |
| 4 | Cover, starter 2,3,6,15,200,201,203,205,206, 208,209,211 | 12 096 01 | 10 | Blower Housing 15,203 | 12 027 08 |

CV11,12.5,14

HOUSING & BAFFLES
(Cont'd)

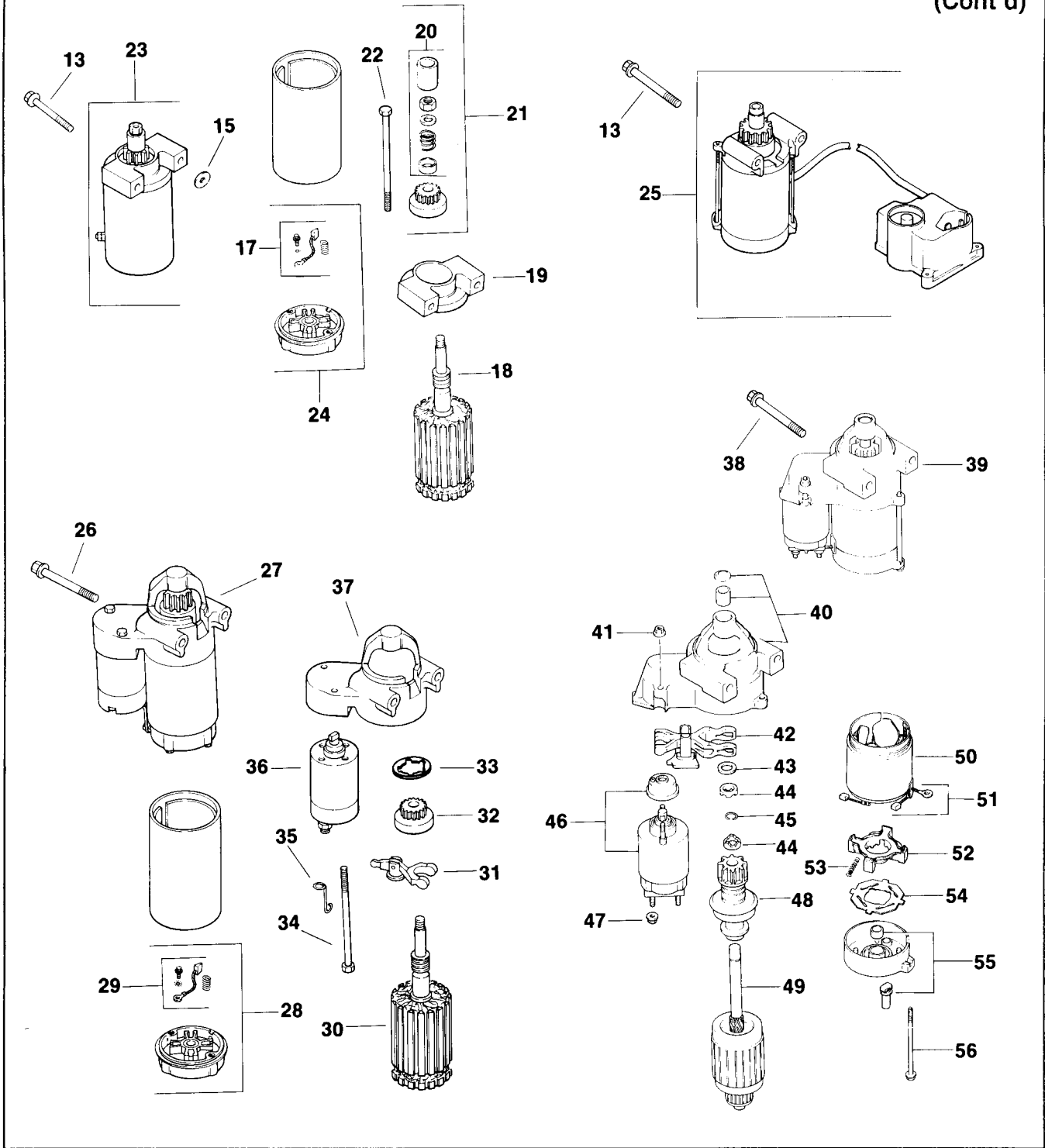
| Index Number | Description Variation Number | Part Number | Index Number | Description Variation Number | Part Number |
|-----------------|--|-------------|--------------|--|-------------|
| 11 | Guard 3,15,201,203 | 12 314 01 | | Decal, 9 HP, white 201,203 | 12 113 05 |
| 12 | Baffle, carburetor 1,2,3,6,7,15,200,201,202,203, 204,205,206,207,208,209,210,211 | | | Decal, 11 HP, white 1,2,6 | 12 113 12 |
| | Before serial no. 2009200014 use: | 12 063 02 | | Decal, 12.5 HP, white 3,200,15 | 12 113 06 |
| | After serial no. 2009200004 use: | 12 063 05 | | Decal, 14 HP, black 210 | 12 113 13 |
| 13 | Baffle, cylinder head 1,2,6,7,200,202,204,205,206,207, 208,209,210,211 | 12 063 03 | | Decal, 14 HP, white 7,204,205,206,209 | 12 113 14 |
| 13 | Baffle, cylinder head 3,15,201,203 | 12 063 04 | | Decal, 14 HP, white 207,208 | 12 113 08 |
| NOT ILLUSTRATED | | | | Decal, 14 HP, chrome 209 | 12 113 26 |
| | Decal, 12.5 HP, black 202 | 12 113 01 | | Decal, hydraulic lift 209 | 12 113 25 |
| | Decal, 12.5 HP, white 211 | 12 113 03 | | Decal, OHV 209 | 12 113 24 |

**Group 7
STARTING SYSTEM**



| Index Number | Description Variation Number | Part Number | Index Number | Description Variation Number | Part Number |
|--------------|--|-------------|--------------|---|-------------|
| 1 | Fasteners, velstud (5) 6 | 12 290 01 | 12 | Cup, drive 1,3,6,13 | 15 109 01 |
| 2 | Filter, starter 6 | 12 050 02 | 13 | Screw, starter M8x1.25x65.5 (2) 2,3,6,13 | SM-0839065 |
| 3 | Screw, retractable starter M5x0.8x10 (5) 1,3,6,13 | SM-0545010 | 14 | Starter, Bendix (*See note on pg.) (Includes 16 - 22) 10,13 | 12 098 06 |
| 4 | Starter, retractable assembly (Includes 5 - 11) 1,3,6,13 | 12 165 01 | 15 | Washer (2) 2,3,6,10,13 | 12 468 01 |
| 5 | Housing, starter 1,3,6,13 | 12 081 01 | 16 | Cap, commutator end assembly (Includes 17) 2,3 | 12 243 01 |
| 6 | Handle, recoil start 1,3,6,13 | 234452 | 17 | Kit, brush & spring 2,3,10,13 | 48 755 15 |
| 7 | Rope, starter 1,3,6,13 | 12 160 01 | 18 | Armature 2,3,10,13 | 12 170 02 |
| 8 | Spring & keeper 1,3,6,13 | 12 089 06 | 19 | Cap, drive end 2,3,10,13 | 12 227 01 |
| 9 | Pulley 1,3,6,13 | 12 093 01 | 20 | Kit, drive parts 2,3,10,13 | 12 755 12 |
| 10 | Kit, dog replacement (Includes 11) 1,3,6,13 | 12 757 06 | 21 | Kit, drive (Includes 20) 2,3,10,13 | 12 755 06 |
| 11 | Screw, pozidriv 1,3,6,13 | 41 086 09 | 22 | Screw, hex. fl. 1/4-20x4-1/4 (2) 2,3,10,13 | 12 086 02 |

STARTING SYSTEM
(Cont'd)



| Index Number | Description Variation Number | Part Number | Index Number | Description Variation Number | Part Number |
|--------------|--|-------------|--------------|--|-------------|
| 23 | Kit, Bendix starter (*See note on pg. 22) (Includes 15,17 - 22,24) 2,3 | 12 098 05 | 25 | Starter, 110 volt (*See note on pg. 22) 6 | 12 098 07 |
| 24 | Cap, commutator end assembly 10,13 | 12 243 03 | 26 | Screw, M8x1.25x75.6 (2) (Use before serial no. 1913612604) 9 | M-0839075 |

STARTING SYSTEM
(Cont'd)

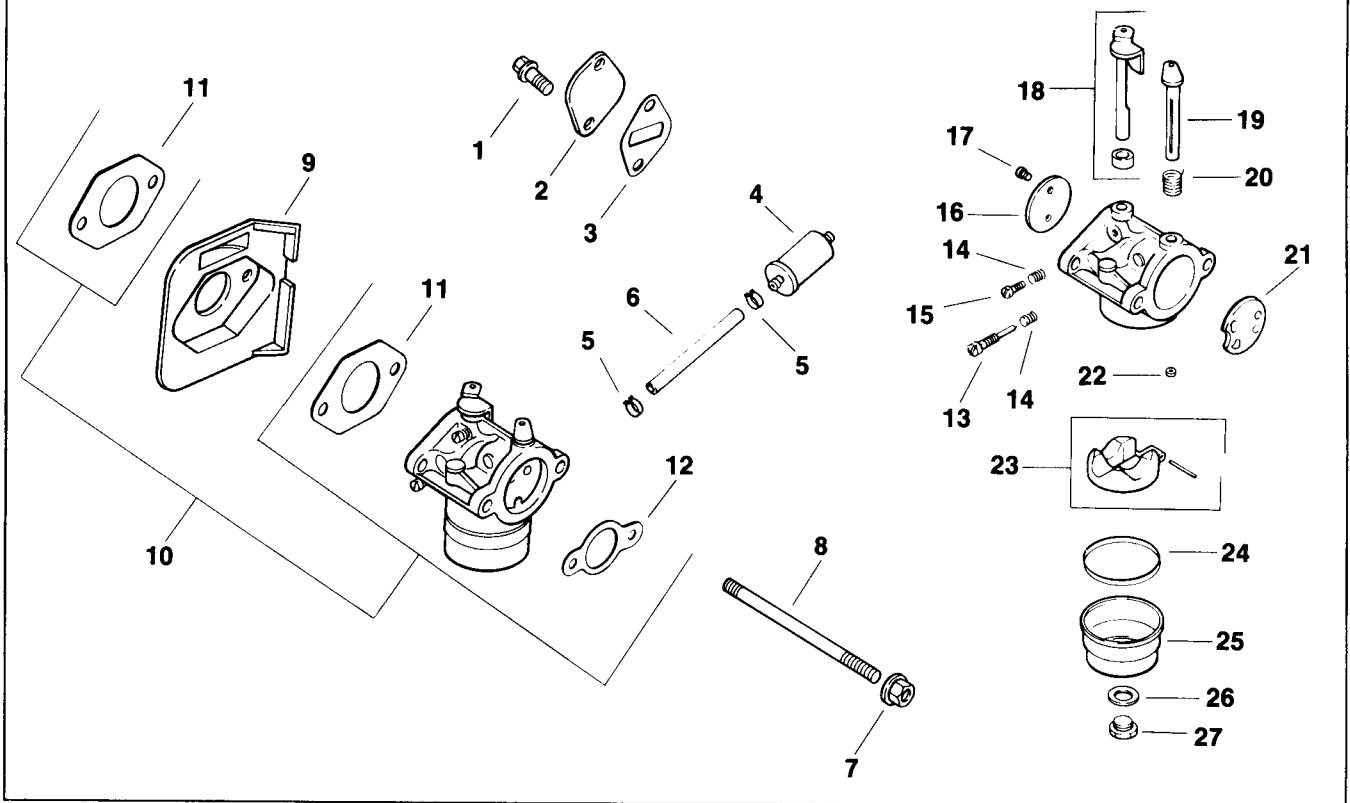
CV11,12.5,14

| Index Number | Description Variation Number | Part Number | Index Number | Description Variation Number | Part Number |
|--------------|--|-------------|-----------------|----------------------------------|-------------|
| 27 | Starter, solenoid shift (United Technology) (Use before serial no. 1913612604) (Includes 28 - 37) 9 | 12 098 01 | 43 | Washer, thrust 9 | 52 468 14 |
| 28 | Cap, commutator end assembly 9 | 12 243 02 | 44 | Nut, stop collar (2) 9 | 52 100 08 |
| 29 | Kit, brush 9 | 48 755 15 | 45 | Ring, retainer 9 | 52 141 03 |
| 30 | Armature 9 | 12 170 01 | 46 | Solenoid 9 | 52 435 02 |
| 31 | Lever 9 | 12 090 07 | 47 | Nut, starter 9 | 52 100 09 |
| 32 | Kit, drive 9 | 12 755 05 | 48 | Drive pinion 9 | 12 239 01 |
| 33 | Seal, drive 9 | 12 032 07 | 49 | Armature, starter assembly 9 | 12 170 03 |
| 34 | Screw, hex. flange 1/4-20x4-7/8 9 | 12 086 03 | 50 | Frame 9 | 12 471 01 |
| 35 | Clip, wire 9 | 12 154 03 | 51 | Kit, brush (Includes 53) 9 | 52 221 01 |
| 36 | Solenoid 9 | 12 435 03 | 52 | Holder, brush 9 | 52 323 03 |
| 37 | Cap, drive end 9 | 12 227 02 | 53 | Spring, brush (4) 9 | 52 089 09 |
| 38 | Screw, M8x1.25x80.6 (2) (Use after serial no. 1913612594) 9 | M-0839080 | 54 | Insulator 9 | 52 168 01 |
| 39 | Starter, solenoid shift (Nippendenso) (Use after serial no. 1913612594) (Includes 40 - 56) 9 | 12 098 03 | 55 | Cap, commutator end 9 | 12 301 01 |
| 40 | Cap, drive end 9 | 12 081 02 | 56 | Bolt, thru (2) 9 | 52 211 05 |
| 41 | Nut, starter (2) 9 | 52 100 10 | NOT ILLUSTRATED | | |
| 42 | Lever, starter drive 9 | 12 090 10 | | Lubricant, starter 2,3,6,10 | 52 357 01 |

*When replacing these starters, #13 must be ordered also.

CV11,12.5,14

Group 8 FUEL SYSTEM

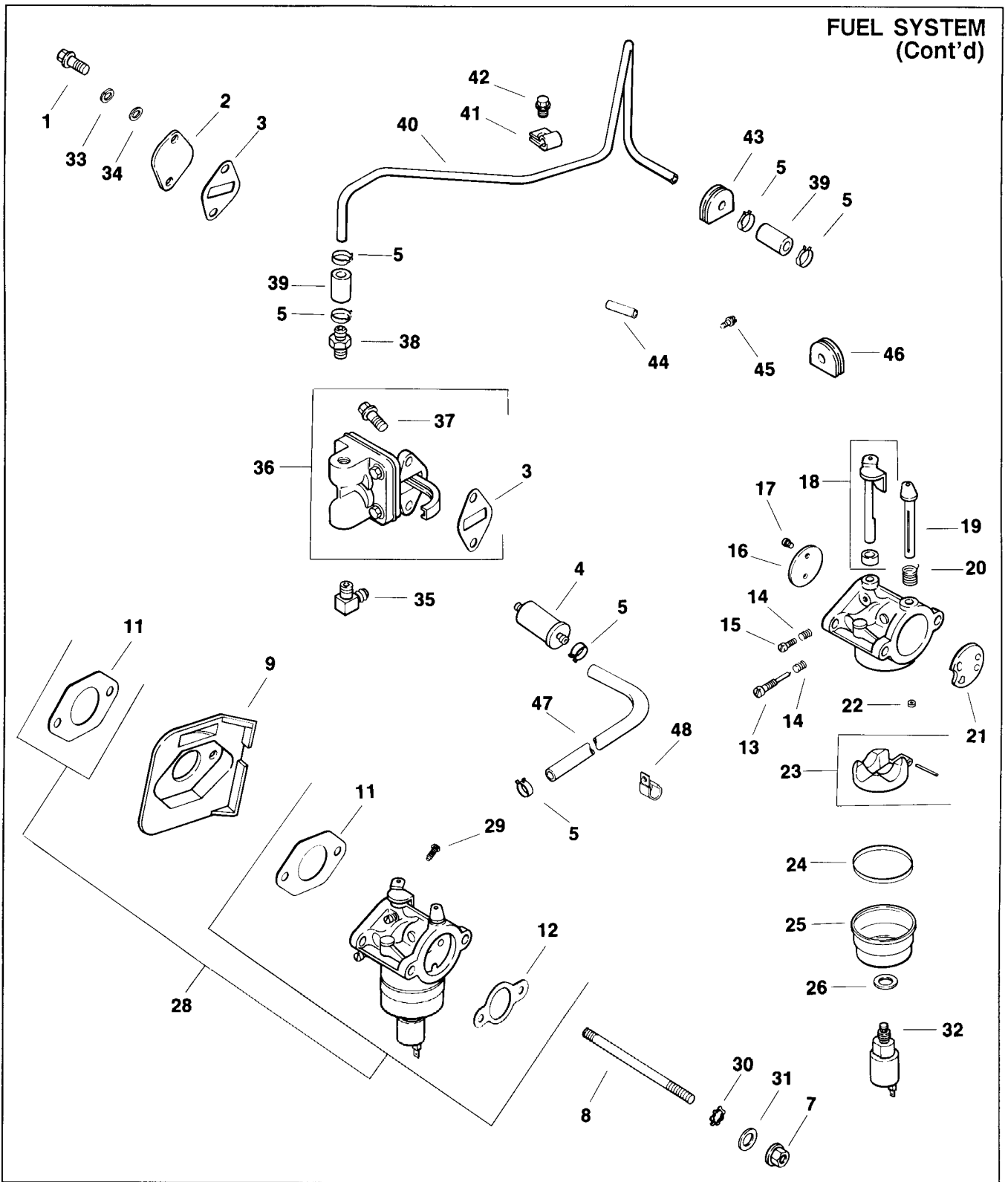


| Index Number | Description Variation Number | Part Number | Index Number | Description Variation Number | Part Number |
|--------------|---|-------------|--------------|---|------------------------|
| 1 | Screw, M6x1.0x20 (2) 1,4,5,8,10,13,15,33,203,204 | SM-0645016 | 8 | Stud, carburetor M6x1.0x110 (2) 1,5,6,7,8,9,10,11,12,13,14,15, 16,18,21,22,31,32,33,34,35, 36,37,40,41,42,201,202,203 204 | M-0629122 |
| 2 | Cover, fuel pump 1,4,5,8,10,13,18,33,203,204 | 240282 | 9 | Deflector, heat 1,5,6,7,8,9,10,11,12,13,15,14, 16,18,21,22,32,33,34,35,36, 37,40,41,42 | 12 265 01 |
| 3 | Gasket, fuel pump 1,4,5,8,10,13,18,33,203,204 | 25 041 05 | 10 | Kit, carburetor (Includes 11,12, & Carburetor, 12 053 01) | |
| 3 | Gasket, fuel pump (2) 6,9,11,14,15,34,40,41 | 25 041 05 | | 1,6,8,9,12,13,15,16,18, 31,32,36,40,42 | 12 853 01 |
| 4 | Filter, fuel 1,4,5,6,8,9,10,11,12,13,14,21, 22,33,34,36,42,201,202 | 25 050 02 | 10 | Kit, carburetor 202 | |
| 4 | Filter, fuel 13,18,32,37,41,201,202,203,204 | 25 050 03 | | Before serial no. 2000500014 use: After serial no. 2000500004 use: | 12 853 01 12 853 11 |
| 5 | Clamp, hose (2) 1,4,5,8,10,12,13,18,21,22,32, 33,35,36,37,42,203,204 | X-426-9 | 10 | Kit, carburetor 203 | |
| 5 | Clamp, hose (4) 40 | X-426-9 | | Before serial no. 2013800014 use: After serial no. 2013800004 use: | 12 853 01 12 853 11 |
| 5 | Clamp, hose (6) 6,9,11,14,15,34,41,201,202 | X-426-9 | | | |
| 6 | Hose, fuel 3" 1,6,9,10,11,13,14,33,34,200 201,202,203,204 | 25 353 02 | | | |
| 7 | Nut, carburetor M6x1.0 (2) 1,5,6,7,8,9,10,11,12,13,14,15,16, 18,21,22,31,32,33,34,35,36,37, 40,41,42,201,202,203,204 | SM-0641060 | | | |

| | | | | |
|----|---|----|---|-----------|
| 10 | Kit, carburetor 35,204 Before serial no. 2001900014 use: 12 853 01 After serial no. 2001900004 use: 12 853 11 | 17 | Screw, valve (2) 1,4,5,6,8,9,10,11,12,13,14,15, 16,18,21,22,31,32,33,34,35,36, 37,40,41,42,201,202,203,204 | 25 086 27 |
| 10 | Kit, carburetor 37 Before serial no. 2009400014 use: 12 853 01 After serial no. 2009400004 use: 12 853 08 After serial no. 2024300004 use: 12 853 16 | 18 | Shaft, throttle w/lever & seal 1,4,5,6,8,9,10,11,12,13,14,15, 16,18,21,22,31,32,33,34,35,36, 37,40,41,42,201,202,203,204 | 12 144 09 |
| 10 | Kit, carburetor (Includes 11,12, & Carburetor 12 053 10) 11 12 853 11 Carburetor assembly (for information only not available separately) (Includes 13-27) 12 053 10 | 19 | Shaft, choke 1,4,5,6,8,9,10,11,12,13,14,15, 16,18,21,22,31,32,33,34,35,36, 37,40,41,42,201,202,203,204 | 12 144 08 |
| 10 | Kit, carburetor (Includes 11,12, & Carburetor 12 053 12) 33,34 12 853 09 Carburetor assembly (for information only not available separately) (Includes 13-27,29) 12 053 12 | 20 | Spring, choke return 1,4,5,6,8,9,10,11,12,13,14,15, 16,18,21,22,31,32,33,34,35,36, 37,40,41,42,201,202,203,204 | 12 089 10 |
| 10 | Kit, carburetor (Includes 11,12, & Carburetor 12 053 08) 7 12 853 07 Carburetor assembly (for information only not available separately) 12 053 08 | 21 | Plate, choke 1,4,5,6,8,9,10,11,12,13,14,15, 16,18,21,22,31,32,33,34,35,36, 37,40,41,42,201,202,203,204 | 12 146 02 |
| 10 | Kit, carburetor (Includes 11,12, & Carburetor 12 053 13) 21 12 853 10 Carburetor (for information only not available separately) (Includes 13-27) 12 053 13 | 22 | Jet, main 1,4,5,6,8,9,10,11,12,13,14,15, 16,18,21,22,31,32,33,34,35,36, 37,40,41,42,201,202,203,204 | 12 337 01 |
| 10 | Kit, carburetor (Includes 11,12, & Carburetor 12 053 16) 22 12 853 14 Carburetor (for information only not available separately) (Includes 13-27) 12 053 16 | 23 | Kit, float 1,4,5,6,8,9,10,11,12,13,14,15, 16,18,21,22,31,32,33,34,35,36, 37,40,41,42,201,202,203,204 | 12 757 02 |
| 11 | Gasket, carburetor (2) 1,4,5,6,7,8,9,10,11,12,13,14,15, 16,18,21,22,31,32,33,34,35,36, 37,40,41,42,201,202,203,204 | 24 | Gasket, bowl 1,4,5,6,8,9,10,11,12,13,14,15, 16,18,21,22,31,32,33,34,35,36, 37,40,41,42,201,202,203,204 | 12 041 05 |
| 12 | Gasket, air filter 1,4,5,6,7,8,9,10,11,12,13,14,15, 16,18,21,22,31,32,33,34,35, 36,37,40,41,42,201,202,203,204, | 25 | Bowl, fuel 1,4,5,6,8,9,10,11,12,13,14,15, 16,18,21,22,31,32,33,34,35,36, 37,40,41,42,201,202,203,204 | 12 104 01 |
| 13 | Needle, idle fuel adj. 1,4,5,6,8,9,10,11,12,13,14,15, 16,18,21,22,31,32,33,34,35, 36,37,40,41,42,201,202,203,204 | 26 | Gasket, bowl retainer screw 1,4,5,6,8,9,10,11,12,13,14,15, 16,18,21,22,31,32,33,34,35,36, 37,40,41,42,201,202,203,204 | 12 041 06 |
| 14 | Spring, idle fuel & speed (2) 1,4,5,6,8,9,10,11,12,13,14,15, 16,18,21,22,31,32,33,34,35, 36,37,40,41,42,201,202,203,204 | 27 | Screw, bowl retainer 1,4,5,6,8,9,10,11,12,13,14,15, 16,18,21,22,31,32,33,34,35,36, 40,42,201,202,203,204 | 12 086 05 |
| 15 | Screw, idle speed adj. 1,4,5,6,8,9,10,11,12,13,14,15, 16,18,21,22,31,32,33,34,35,36, 37,40,41,42,201,202,203,204 | 27 | Screw, bowl retainer (Use only before serial no. 2009400014) 37 12 086 05 | |
| 16 | Plate, throttle 1,4,5,6,8,9,10,11,12,13,14,15, 16,17,18,21,22,31,32,33,34,35, 36,37,40,41,42,201,202,203,204 | | | |

CV11,12.5,14

FUEL SYSTEM (Cont'd)



| Index Number | Description Variation Number | Part Number | Index Number | Description Variation Number | Part Number |
|--------------|--|-------------|--------------|--|-------------|
| 28 | Kit, carburetor (Includes 11,12, & Carburetor 12 053 06) 5 | 12 853 06 | | Carburetor assembly (for Information only not available separately) (Includes 13-27,29,32) 5 | 12 053 06 |

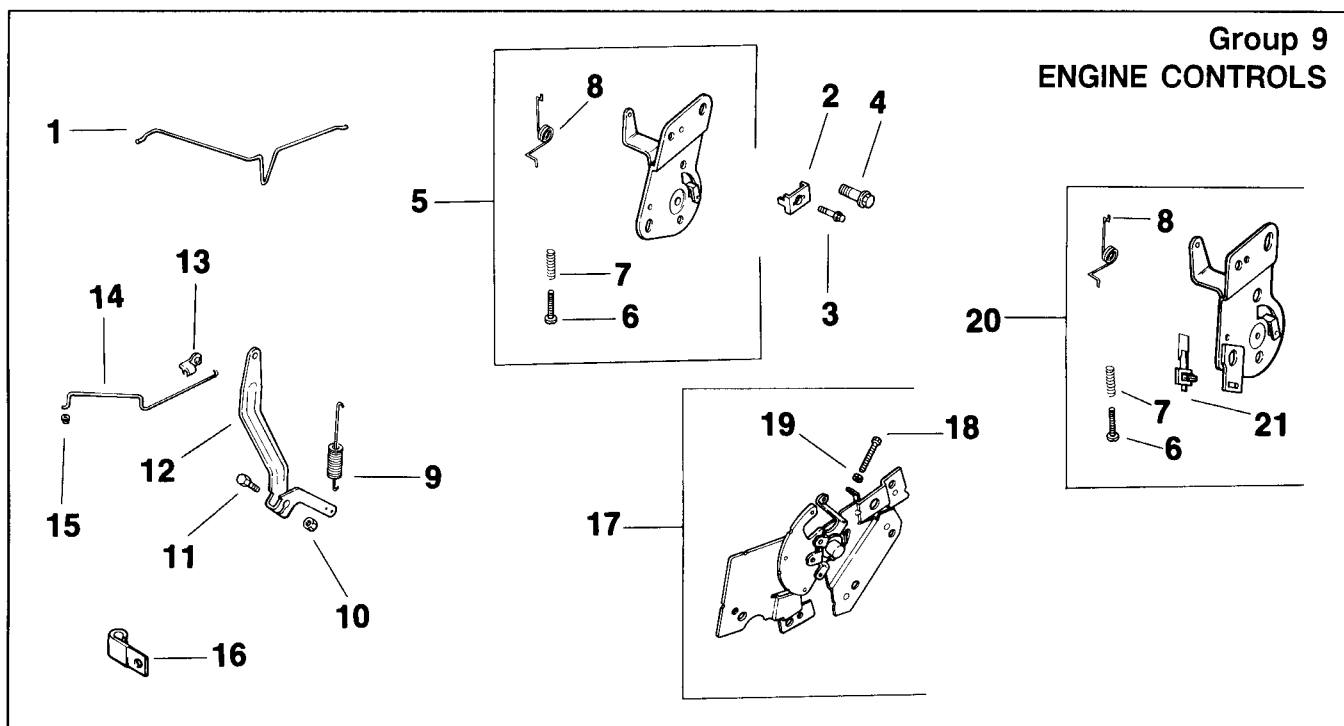
**FUEL SYSTEM
(Cont'd)**

CV11,12.5,14

| Index Number | Description Variation Number | Part Number | Index Number | Description Variation Number | Part Number |
|--------------|---|----------------------------|-----------------|---|-------------|
| 28 | Kit, carburetor (Includes 11,12, & Carburetor 12 053 04 4 Carburetor assembly (for information only not available separately) (Includes 13-27,32) | 12 853 04 12 053 04 | 41 | Clip, fuel line 6,9,11,14,15,34,40,41,200,201, 202 | 12 154 01 |
| 28 | Kit, carburetor (Includes 11,12, & Carburetor 12 053 09) 14,41 Carburetor (for information only not available separately) (Includes 13-27,32) | 12 853 08 12 053 09 | 42 | Screw, fuel line connecting 6,9,11,14,15,34,40,41,200,201, 202 | SM-0545010 |
| 28 | Kit, carburetor (Includes 11,12, & Carburetor 12 053 21) (Use only after serial no. 2024300004) 37 Carburetor (for information only not available separately) (Includes 13-27,32) | 12 853 16 12 053 21 | 43 | Grommet 1,6,7,8,9,10,12,13,14,15,16, 18,21,22,31,32,33,35,34,36,37, 40,41,42,200,203,204 | 12 313 01 |
| 29 | Screw, throttle stop 5 | 12 086 08 | 44 | Sleeve 4,5,14,37,41 | 12 431 01 |
| 29 | Screw, throttle stop 33,34 | 12 086 12 | 45 | Screw, ground wire mount 4,5,14,37,41 | 12 086 07 |
| 30 | Washer, star 4,5,14,37,41 | X-22-11 | 46 | Grommet 10,11,13,33,201,202 | 12 313 05 |
| 31 | Washer, plain (2) 17/64x1/2x1/16 4,5,14,37,41 | X-25-63 | 47 | Fuel line 42 | 52 353 18 |
| 32 | Solenoid 4,5,14,37,41 | 12 435 02 | 47 | Fuel line 8,22,18,21,32 | 41 353 14 |
| 33 | Washer, lock 1/4 (2) (Use only before serial no. 1915600014) 1,4,5,8,10,203,204 | X-20-1 | 47 | Fuel line 36 | 25 353 03 |
| 34 | Washer, plain (2) 17/64x1/2x1/16 (Use only before serial no. 1915600014) 1,4,5,8,10,203,204 | X-25-63 | 47 | Fuel line 10" 12,37 | 52 353 20 |
| 35 | Connector 6,9,11,14,34,200,201,202 | 25 155 02 | 47 | Hose, 9" 4,5,15,41 | 25 353 10 |
| 36 | Kit, fuel pump (Includes 3,37) 6,9,11,14,15,34,40,41,200,201, 202 | 12 559 01 | 48 | Clip, fuel line 12,18,31,32,36,37,42 | 47 154 01 |
| 37 | Screw, fuel pump mtg. M6x1.0x20 (2) 4,6,9,14,11,15,34,40,41,200, 201,202 | SM-0645020 | 48 | Clip, fuel line (2) 4,5,8 | 47 154 01 |
| 38 | Connector, straight hose 1/8 6,9,11,14,34,200,201,202 | X-380-1 | NOT ILLUSTRATED | | |
| 39 | Fuel line, hose 6,9,11,14,15,34,40,41,200,201, 202 | 12 353 01 | | Kit, carburetor repair 1,6,8,9,10,11,12,13,14,15,16, 18,22,21,31,32,33,34,35,36, 40,41,200,201,202,203,204 | 12 757 01 |
| 40 | Fuel line, metal 6,9,11,14,15,34,40,41,200,201, 202 | 12 123 01 | | Kit, carburetor repair 4,5 | 12 757 03 |
| | | | | Kit, carburetor repair 37 | 12 757 01 |
| | | | | Before serial no. 2024300014 use: | 12 757 03 |
| | | | | After serial no. 2024300004 use: | 12 757 03 |
| | | | | Kit, high altitude jet 1,4,5,6,8,9,10,11,12,13,14,15, 16,18,21,22,32,33,34,35,36,37, 40,41,200,201,202,203,204 | 12 755 09 |
| | | | | Lead, solenoid 4 | 12 518 01 |
| | | | | Lead, solenoid 5,37 | 12 518 04 |
| | | | | Lead, ground wire 4,5,14,41,37 | 41 518 34 |
| | | | | Lead, solenoid 14,41 | 12 518 05 |

CV11,12.5,14

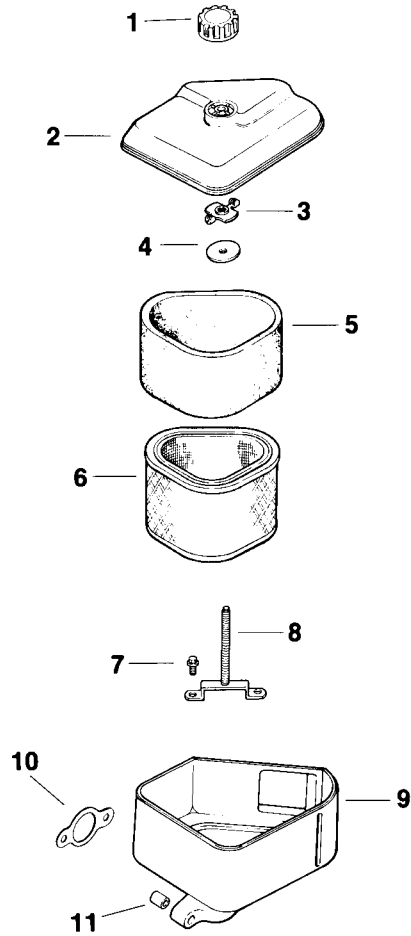
Group 9 ENGINE CONTROLS



| Index Number | Description Variation Number | Part Number | Index Number | Description Variation Number | Part Number |
|--------------|--|-------------|--------------|--|-------------|
| 1 | Linkage, choke 1,2,3,4,5,9 | 12 079 03 | 9 | Spring, governor 9 | 12 089 19 |
| 2 | Clamp, cable 1,3,4,5,9 | 12 237 01 | 9 | Spring, governor 1,3,4,5 | 12 089 20 |
| 2 | Clamp, cable (2) 2 | 12 237 01 | 10 | Nut, governor arm M6x1.0x25 1,2,3,4,5,9 | SM-0641060 |
| 3 | Screw, cable clamp M5x0.8x16 1,3,4,5,9 | SM-0545016 | 11 | Screw, governor arm M6x1.0x25 1,2,3,4,5,9 | SM-0642025 |
| 3 | Screw, cable clamp M5x0.8x16 (2) 2 | SM-0545016 | 12 | Lever, governor 1,2,3,4,5,9 | 12 090 05 |
| 4 | Screw, speed control bracket M6x1.0x20 (2) 1,3,4,5,9 | SM-0645020 | 13 | Bushing, linkage black 1,2,3,4,5,9 | 25 158 09 |
| 5 | Speed control assembly (Includes 6 - 8) 1,3,5,9 | 12 536 01 | 14 | Linkage, throttle 1,2,3,4,5,9 | 12 079 01 |
| 6 | Screw, throttle control lever M4x0.7x25 1,3,5 | SM-0443025 | 15 | Bushing, linkage natural 1,2,3,4,5,9 | 25 158 08 |
| 6 | Screw, throttle control lever M4x0.7x25 (2) 4,9 | SM-0443025 | 16 | Clamp, cable 5 | 48 154 02 |
| 7 | Spring, choke 1,3,5,9 | 12 089 11 | 17 | Speed control assembly (Includes 18,19) 2 | 12 536 02 |
| 7 | Spring, choke (2) 4 | 12 089 11 | 18 | Screw, RPM adusting 2 | M-0401030 |
| 8 | Spring, choke return 1,3,4,5,9 | 12 089 04 | 19 | Nut, hex M4x0.7 2 | M-0446030 |
| 9 | Spring, governor 2 | 52 089 07 | 20 | Speed control assembly (Includes 6 - 8,21) 4 | 12 536 06 |
| | | | 21 | Switch, kill 4 | 12 099 15 |

CV11,12.5,14

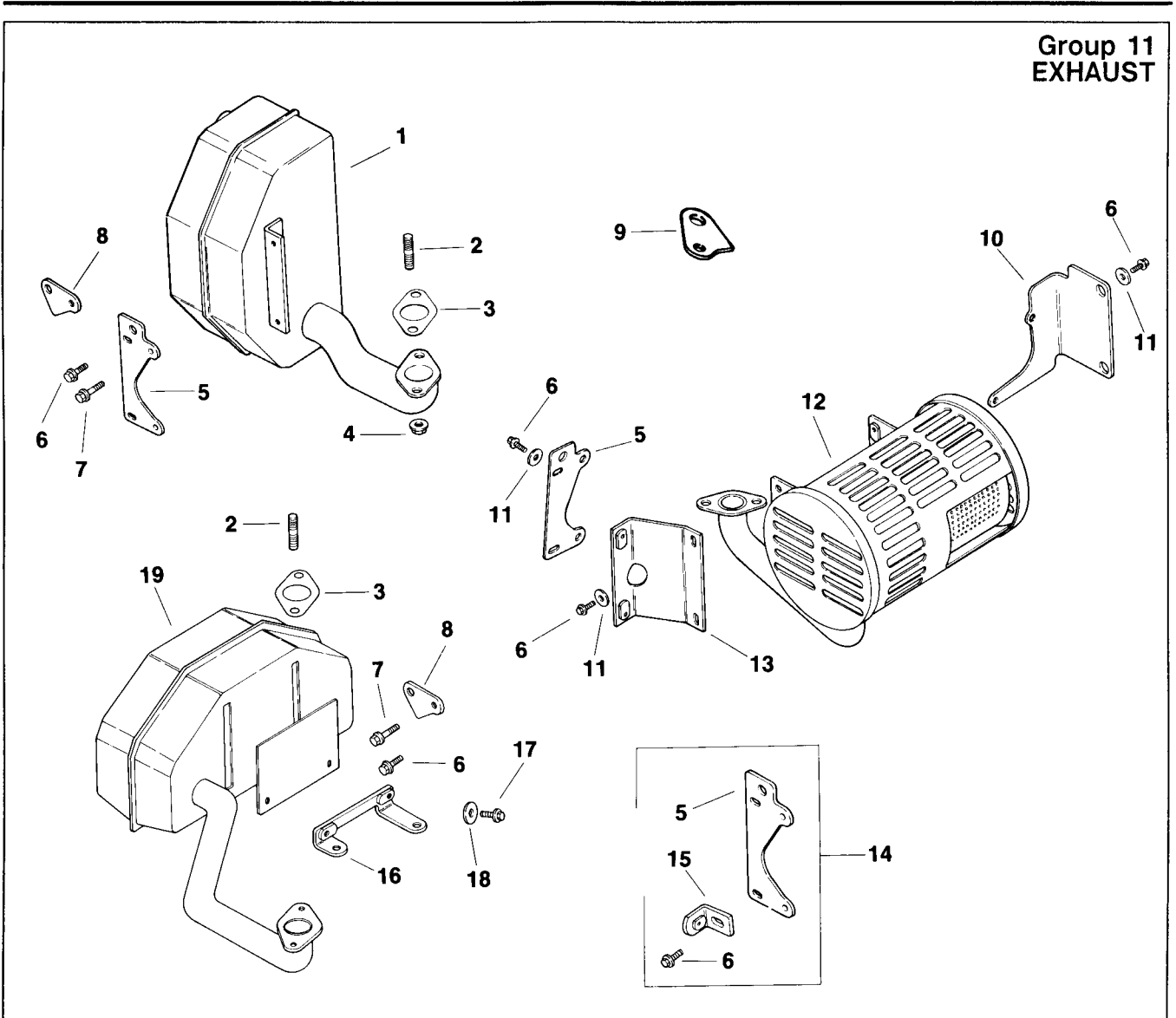
Group 10 AIR INTAKE



| Index Number | Description Variation Number | Part Number | Index Number | Description Variation Number | Part Number |
|--------------|---|-------------|--------------|---|-------------|
| 1 | Knob, air cleaner cover 1,2,3,4 | 12 341 01 | 7 | Screw, mntg. plate stud 1,2,3,4 | 12 086 01 |
| 2 | Cover, air cleaner 1,2,3,4 | 12 096 06 | 8 | Stud, mntg. plate stud 1,2,3,4 | 12 072 03 |
| 3 | Nut, wing 1,2,3,4 | 12 100 01 | 9 | Base, air cleaner 1,2,3,4 | 12 094 01 |
| 4 | Washer, 1/4 plain (under wing nut) 1,2,3,4 | X-25-63 | 10 | Gasket, air cleaner 1,2,3,4 | 12 041 02 |
| 5 | Precleaner element 1,2,3,4 | 12 083 08 | 11 | Spacer (Use before serial no. 1901900014) 1,2,3,4 | 12 112 03 |
| 6 | Element, air cleaner 1,2,4 | 12 083 05 | | NOT ILLUSTRATED | |
| 6 | Element, air cleaner 3 | 12 083 09 | | Decal, air cleaner 1,2,3,4 | 12 113 04 |

CV11,12.5,14

Group 11 EXHAUST



| Index Number | Description Variation Number | Part Number | Index Number | Description Variation Number | Part Number |
|--------------|--|-------------|--------------|---|-------------|
| 1 | Muffer 1 | 12 068 01 | 6 | Screw, muffer brkt. M6x1.0x16 (6) 201,202 | M-0651016 |
| 1 | Muffer 4 | 12 068 02 | 7 | Screw, valve cover M6x1.0x20 9,10,13,16,200 | SM-0645020 |
| 2 | Stud, manifold M8x1.25x20 (2) 1,4,7,9,10,11,13,16,20,22,200, 201,202 | M-0829036 | 7 | Screw, lift strap M6x1.0x25 9,10,13,16,200 | SM-0645025 |
| 3 | Gasket, exhaust manifold 1,4,7,9,11,13,16,20,22,200,201, 202 | 12 041 03 | 7 | Screw, valve cover M6x1.0x25 (2) 1,7,11,15,20,22 | SM-0645025 |
| 4 | Nut, muffer M8x1.25 (2) 1,4,7,9,11,13,16,20,21,22,201, 202 | SM-0841080 | 7 | Screw, valve cover M6x1.0x25 (3) 4 | SM-0645025 |
| 5 | Bracket, muffer 1,7,15,20,22,201 | 12 126 03 | 7 | Screw, valve cover M6x1.0x25 (4) 201,202 | SM-0645025 |
| 6 | Screw, muffer brkt. M6x1.0x16 15,20 | M-0651016 | 8 | Bracket, muffer 11 | 12 126 11 |
| 6 | Screw, muffer brkt. M6x1.0x16 (2) 1,4,15 | M-0651016 | 9 | Strap, lift 4,9,10,11,13,16,200 | 12 445 01 |
| | | | 10 | Bracket, muffer 20 | 12 126 38 |

**EXHAUST
(Cont'd)**

CV11,12.5,14

| | | | | | |
|----|--|-----------|----|--|-----------|
| 10 | Bracket, muffler 4,201,202 | 12 126 06 | 15 | Bracket, muffler 20 | 12 126 30 |
| 11 | Washer, plain 17/64x3/4x1/16 (6) 201,202 | X-25-52 | 16 | Bracket, muffler (attach to oil pan) 9,16 | 12 126 08 |
| 12 | Muffler 201,202 | 12 068 07 | 17 | Screw, muffler brkt. M6x10 (2) 16 | M-0645016 |
| 13 | Bracket (attach to 12 126 03) 201,202 | 12 126 26 | 18 | Washer 16 | 12 468 01 |
| 14 | Kit, bracket (Includes 5, 6 (Qty 1), 15) 15,20 | 12 755 23 | 19 | Muffler 9,16 | 12 068 03 |

CV11,12.5,14

| Index Number | Description Variation Number | Part Number | |
|--------------|------------------------------|-------------|--|
| | GASKET SET (w/ Seals) | 12 755 01 | |
| | Set Includes | | |
| | Seal, oil | 12 032 03 | |
| | Gasket, carburetor | 12 041 01 | |
| | Gasket, air filter | 12 041 02 | |
| | Gasket, exhaust manifold | 12 041 03 | |
| | Gasket, cylinder head | 12 041 04 | |
| | Gasket, oil filter | 12 041 07 | |
| | Gasket, collector plate | 12 041 09 | |
| | O-Ring | 12 153 01 | |
| | O-Ring, oil pick-up | 12 153 04 | |
| | O-Ring, oil pump | 12 153 05 | |
| | Gasket, fuel pump | 25 041 09 | |

KOHLERengines

KOHLER CO. KOHLER, WISCONSIN 53044

FORM NO.: TP-2351-A

ISSUED: 7/88

REVISED: 10/90

MAILED: 11/90

LITHO IN U.S.A.